

HH 45 T4 0,37kW

GENERAL DATA



EXTERNAL MOTOR, VARIABLE PITCH BLADES

MANUFACTURING FEATURES:

- Long cased fan.
- Transmission ball bearings set inside a sealed box manufactured in steel or cast aluminium. Ball bearings permanently greased.
- Cast aluminium impeller with variable pitch angle in origin.
- Polyester powder finishing coat.
- Standard asynchronous squirrel-cage motor with IP-55 protection and Class F insulation. Manufactured with standard voltages: 230V 50Hz in single phase motors and 230/400V 50Hz in three phase motors, up to 4kW and 400/690V 50Hz for higher powers.
- Inspection door located on the lower part of the housing.

APPLICATIONS:

Designed for inline installation, they are suitable for:

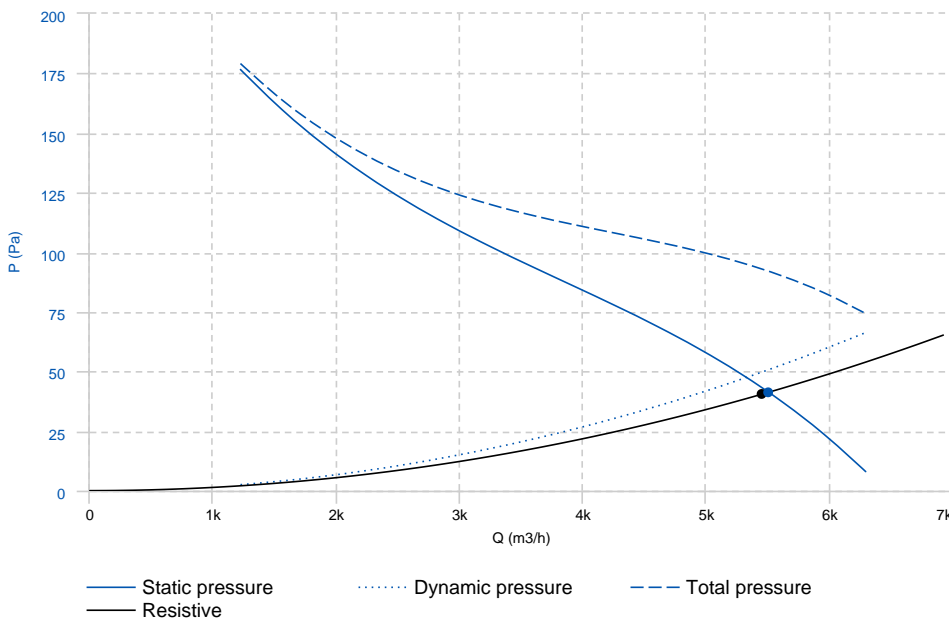
- Air renewal in buildings and industries.
- Extraction of hot air up to 110°C.
- Maximum working temperature: carried air: 110°C, ambient 60°C.

UNDER REQUEST:

- Supply impeller (air direction from impeller to motor),
- Reversible impeller.
- Polyamide impeller.
- 60Hz fans and special voltages.
- 2 speed motors.
- Hot-dipped galvanised or stainless steel housing.

PERFORMANCE CURVE

20°C 0m 1.2 Kg/m³



Design point	
Flow (m ³ /h)	5457.47
Pressure (Pa)	40.59
Service point	
T.max (°C)	110
Q (m ³ /h)	5502.95
Ps (Pa)	41.27
Pd (Pa)	50.75
Pt (Pa)	92.01
Speed (m/s)	9.2

TECHNICAL DATA

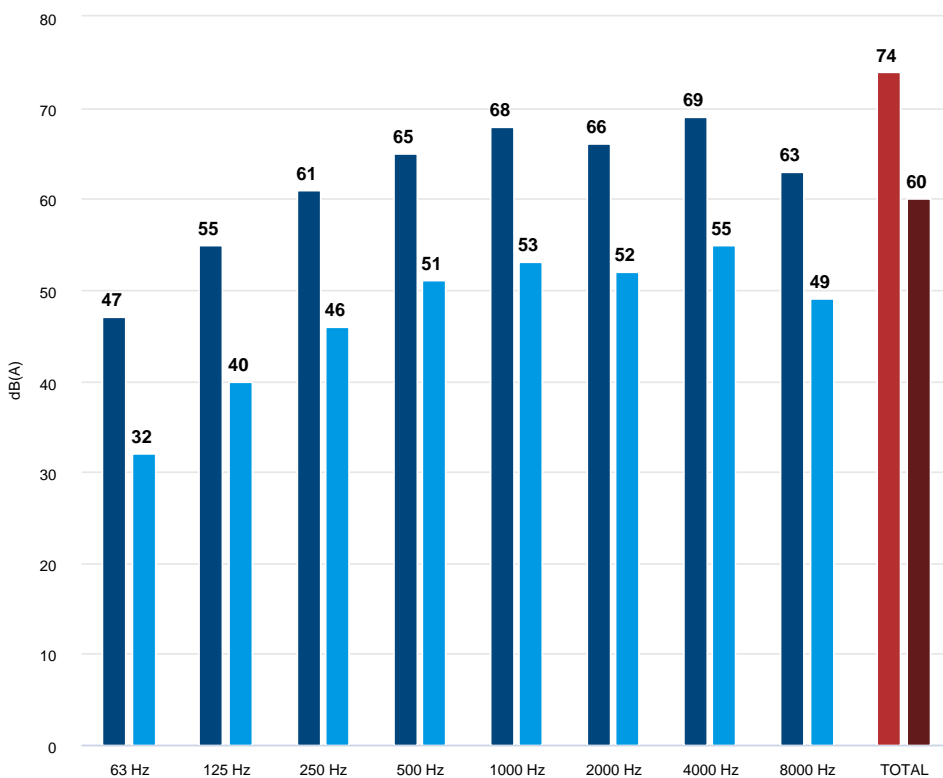
Fan

RPM	1400	Approx. weight	36 kg	Max. Flow	6290 m3/h
-----	------	----------------	-------	-----------	-----------

Motor

Power	0,37 kW	RPM	1370	I max. (230V)	1,86 A	I max. (400V)	1,07 A
Size	71	Approx. weight	6.2 kg	Efficiency (%)	69.5 %		

ACOUSTIC DATA



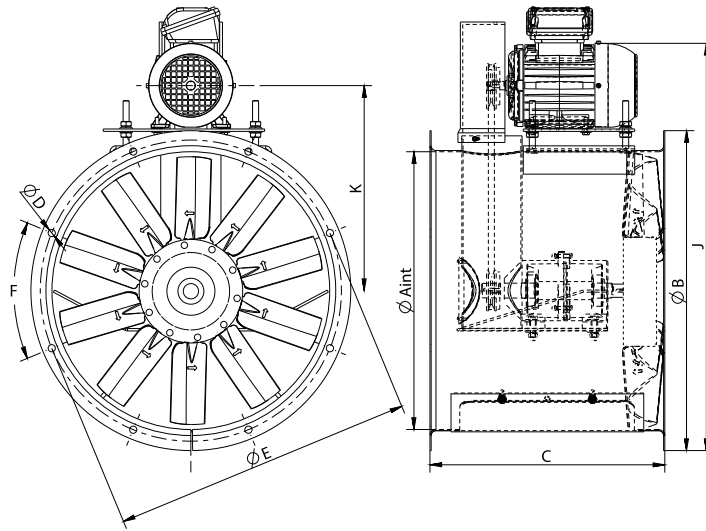
Sound power

63 Hz	47
125 Hz	55
250 Hz	61
500 Hz	65
1000 Hz	68
2000 Hz	66
4000 Hz	69
8000 Hz	63
TOTAL	74

Sound pressure 1.5m (in)

63 Hz	32
125 Hz	40
250 Hz	46
500 Hz	51
1000 Hz	53
2000 Hz	52
4000 Hz	55
8000 Hz	49
TOTAL	60

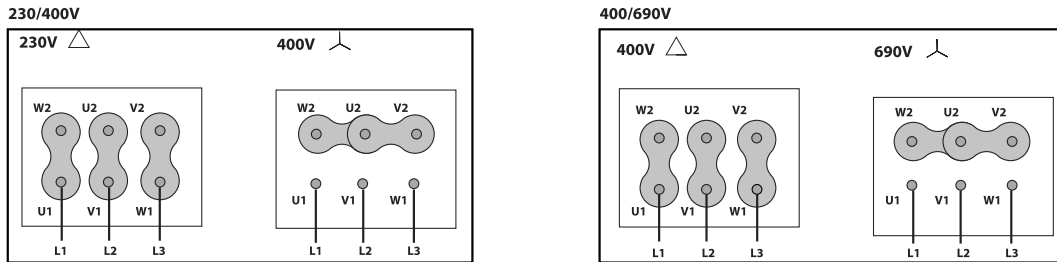
DIMENSIONS



Dimensions (mm)

A	460	B	530	C	390	D	12	E	500
F	8x45 ^ø	J màx	720	K màx	355				

WIRING DIAGRAM



ACCESSORIES



SAFETY SWITCH
INT 25 3P A
REF: INT253PA



PROTECTION GUARD FOR LONG CASSED AXIAL FANS
RP 45
REF: 960310100



**PLASTIC GRAVITY SHUTTER
PCP 45**
REF: 963240105



**CASED FANS MOUNTING SUPPORT
PO 45**
REF: 960001655



**CONNECTION FLANGE
AC 450**
REF: 960003213



**ANTI-VIBRATING FLANGE 400º/2H
BA-400 45**
REF: 960002055



**ANTI-VIBRATION JOINT
JE 45**
REF: 300719201



**SILENCIADOR CIRCULAR
SIL-C 450/450**
REF: 960045045



**SILENCIADOR CIRCULAR
SIL-C 450/ 675**
REF: 960045675



**SILENCIADOR CIRCULAR
SIL-C 450/900**
REF: 960045090



**SILENCIADOR CIRCULAR
SIL-CN 450/450**
REF: 961045045



**SILENCIADOR CIRCULAR
SIL-CN 450/ 675**
REF: 961045675



**SILENCIADOR CIRCULAR
SIL-CN 450/900**
REF: 961045090



**ALUMINIUM GRAVITY SHUTTER
PC2 50**
REF: PC25050



**CIRCULAR-CIRCULAR ANTI-VIBRATION FLANGE
BAD 12**
REF: 960003462



**FREQUENCY SPEED CONTROLLER
SFC 230 I 2,5A ***
REF: SFC230I003



**FREQUENCY SPEED CONTROLLER
SFC 400 III 1,2A ***
REF: SFC400III1



SPARE PARTS

	Code	Model	RPM	Degrees
1	H45006235ASTD	1 x ALUMINIUM IMPELLER 450:AA0:6 G35 D14	-	-
2	721001131	1 x MOTOR 0,37kW T4 B3 230/400V IEC71	-	-
3	732006301	1 x PULLEY SPZ63-1 (1108)	-	-
3	732007101	1 x PULLEY SPZ71-1 (1108)	-	-
4	733110814	1 x TAPER 1108D14	-	-
4	733110824	1 x TAPER 1108D24	-	-
5	264349415	1 x PIECE TRANSMISSION HH 35-45	-	-
6	731041035	1 x BELT ZX 33.5	-	-