

# HH 90 T4 3kW

## GENERAL DATA



EXTERNAL MOTOR, VARIABLE PITCH BLADES

MANUFACTURING FEATURES:

- Long cased fan.
- Transmission ball bearings set inside a sealed box manufactured in steel or cast aluminium. Ball bearings permanently greased.
- Cast aluminium impeller with variable pitch angle in origin.
- Polyester powder finishing coat.
- Standard asynchronous squirrel-cage motor with IP-55 protection and Class F insulation. Manufactured with standard voltages: 230V 50Hz in single phase motors and 230/400V 50Hz in three phase motors, up to 4kW and 400/690V 50Hz for higher powers.
- Inspection door located on the lower part of the housing.

APPLICATIONS:

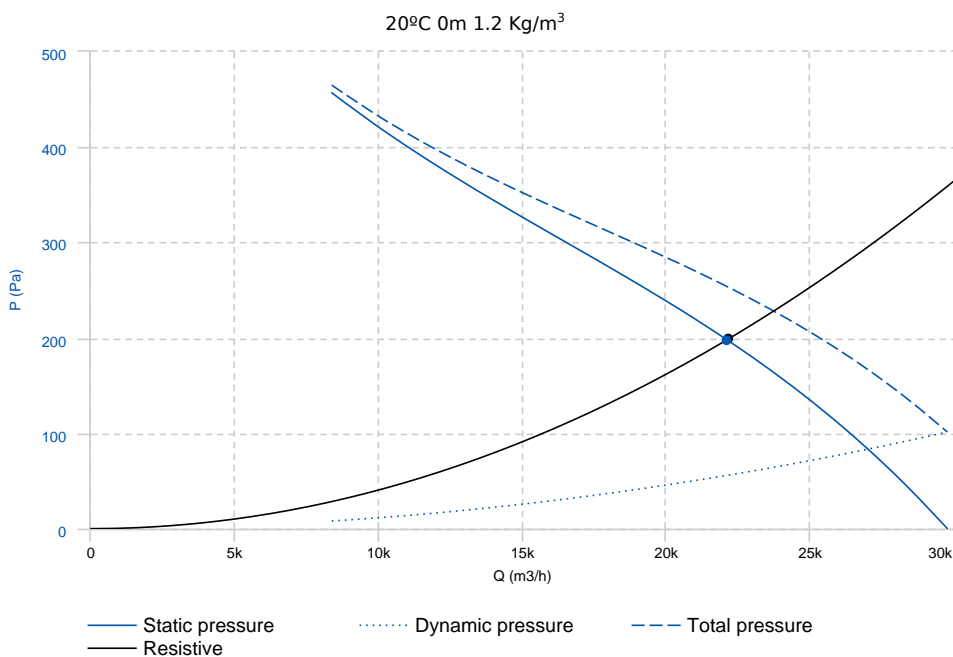
Designed for inline installation, they are suitable for:

- Air renewal in buildings and industries.
- Extraction of hot air up to 110°C.
- Maximum working temperature: carried air: 110°C, ambient 60°C.

UNDER REQUEST:

- Supply impeller (air direction from impeller to motor),
- Reversible impeller.
- Polyamide impeller.
- 60Hz fans and special voltages.
- 2 speed motors.
- Hot-dipped galvanised or stainless steel housing.

## PERFORMANCE CURVE



Design point	
Flow (m <sup>3</sup> /h)	22199.27
Pressure (Pa)	199.79
Service point	
T.max (°C)	110
Q (m <sup>3</sup> /h)	22101.18
Ps (Pa)	198.03
Pd (Pa)	55.86
Pt (Pa)	253.89
Speed (m/s)	9.65

## TECHNICAL DATA

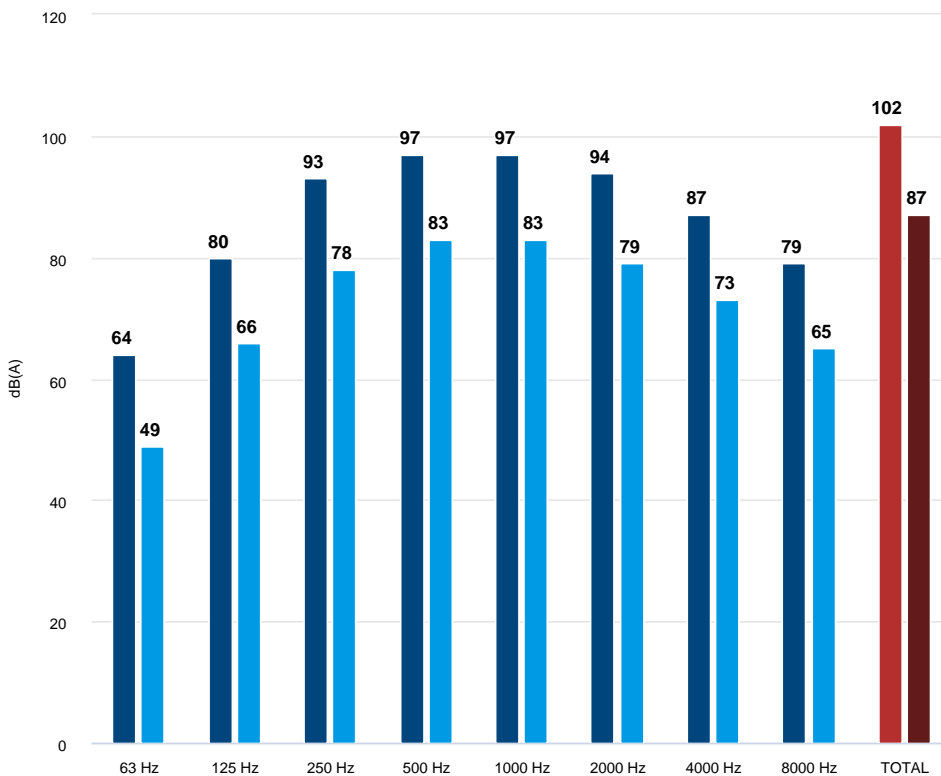
### Fan

RPM	1430	Approx. weight	113 kg	Max. Flow	29940 m3/h
-----	------	----------------	--------	-----------	------------

### Motor

Power	3 kW	RPM	1420	I max. (230V)	10,7 A	I max. (400V)	6,17 A
Size	100L	Approx. weight	34 kg	Efficiency (%)	85.6 %	FP	0.82

## ACOUSTIC DATA



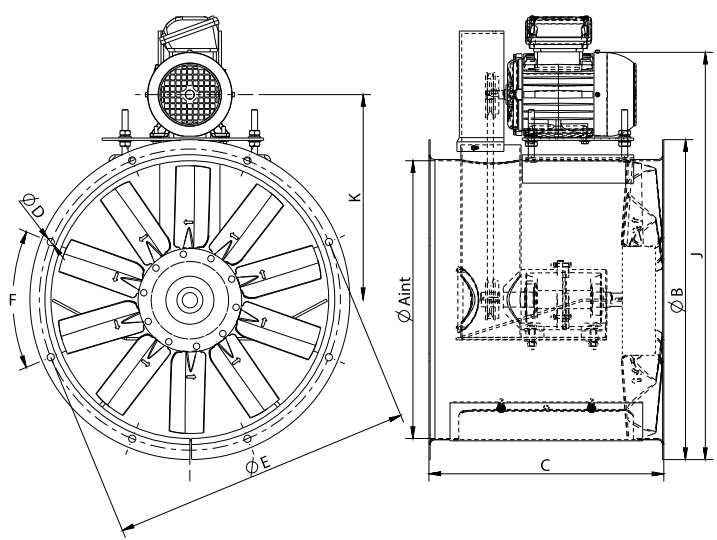
### Sound power

63 Hz	64
125 Hz	80
250 Hz	93
500 Hz	97
1000 Hz	97
2000 Hz	94
4000 Hz	87
8000 Hz	79
TOTAL	102

### Sound pressure 1.5m (in)

63 Hz	49
125 Hz	66
250 Hz	78
500 Hz	83
1000 Hz	83
2000 Hz	79
4000 Hz	73
8000 Hz	65
TOTAL	87

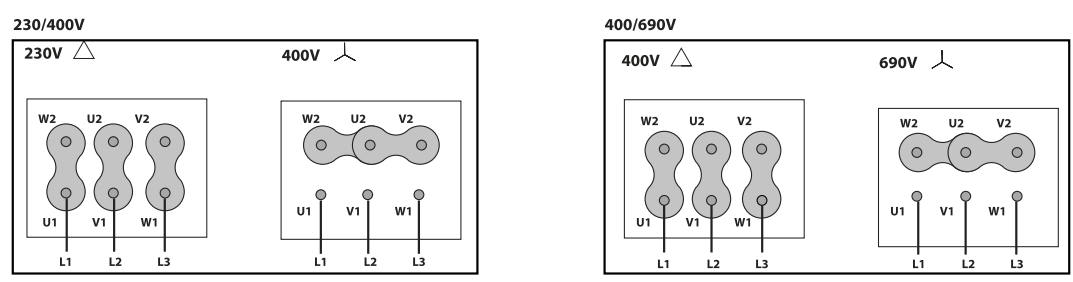
## DIMENSIONS



**Dimensions (mm)**

<b>Dimensions (mm)</b>									
A	905	B	1002,5	C	550	D	12	E	970
F	16x22,5 <sup>ø</sup>	J	màx 1320	K	màx 652				


## WIRING DIAGRAM



## ACCESSORIES



**SAFETY SWITCH**  
**INT 25 3P A**  
**REF: INT253PA**



**PROTECTION GUARD FOR LONG CASED AXIAL FANS**  
**RP 90**  
**REF: 960340102**



**PLASTIC GRAVITY SHUTTER**  
**PCP 90**  
REF: 963280105



**CONNECTION FLANGE**  
**AC 900**  
REF: 960003219



**ANTI-VIBRATING FLANGE 400º/2H**  
**BA-400 90**  
REF: 960002061



**ANTI-VIBRATION JOINT**  
**JE 45**  
REF: 300719201



**ALUMINIUM GRAVITY SHUTTER**  
**PC2 100**  
REF: PC2100100



**CIRCULAR-CIRCULAR ANTI-VIBRATION FLANGE**  
**BAD 18**  
REF: 960003468



**FREQUENCY SPEED CONTROLLER**  
**SFC 400 III 8A \***  
REF: SFC400III8

## SPARE PARTS

	Code	Model	RPM	Degrees
1	H90046520ASTD	1 x ALUMINIUM IMPELLER 900:AA4:6 G20 D28	-	-
2	721001168	1 x MOTOR 3KW T4 B3 230/400V IEC100	-	-
3	732111202	2 x PULLEY SPA112-2 (1610)	-	-
4	733161028	1 x TAPER 1610D28	-	-
4	733161038	1 x TAPER 1610D38	-	-
5	264442111	1 x SHAFT HH/HHP90	-	-
5	712913440	2 x BEARING COLL.CONIC. NP40 (HH-HHP)	-	-
6	731158001	2 x BELT SPAX1582	-	-