

BCI 20/8 M2 1,1kW

GENERAL DATA

FAN PORTABLE FOR INFLATABLE



MANUFACTURING FEATURES:

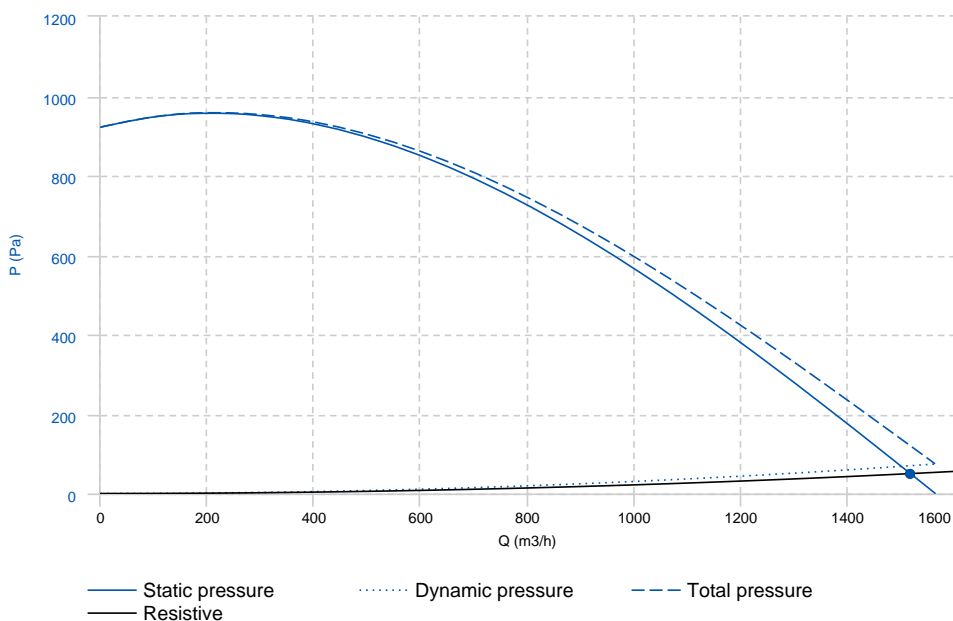
- Fully made of galvanised steel sheet.
- Simple inlet forward curved impeller in all models.
- Portable box with anti-return valve.
- Circular outlet for direct connection to duct or inflatable input.
- Standard asynchronous squirrel-cage motor with IP-55 protection and Class F insulation. Manufactured with standard voltages: 230V 50Hz.
- Default assembly position is LG270.

APPLICATIONS:

- Inflatable slides and castles.
- Industrial applications, extraction or injection of air.
- Maximum working temperature: carried air: 130°C, ambient 50°C.

PERFORMANCE CURVE

20°C 0m 1.2 Kg/m³



Design point	
Flow (m ³ /h)	1519.85
Pressure (Pa)	50.21
Service point	
T.max (°C)	130
Q (m ³ /h)	1517.74
Ps (Pa)	50.07
Pd (Pa)	69.89
Pt (Pa)	119.96
Speed (m/s)	10.79
Pabs (kW)	1.35

TECHNICAL DATA

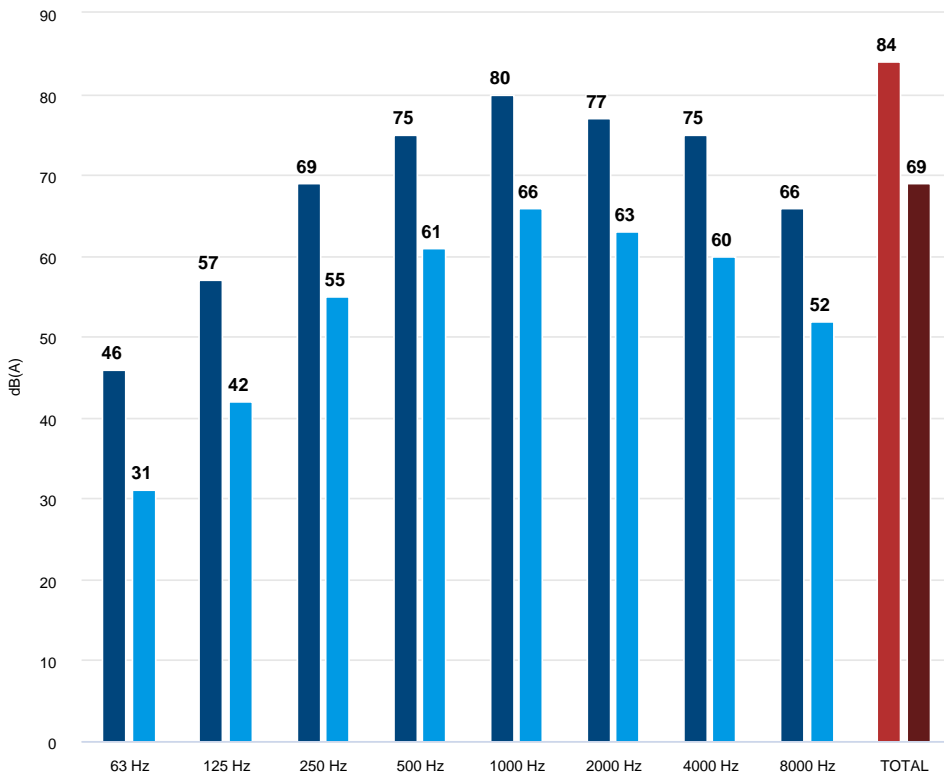
Fan

RPM	2800	Approx. weight	27 kg	Max. Flow	1590 m ³ /h
-----	------	----------------	-------	-----------	------------------------

Motor

Power	1,1 kW	RPM	2800	Capacitor	30µF 450V	I max. (230V)	6,71 A
Size	80	Approx. weight	10.6 kg	Efficiency (%)	72 %	FP	0.95

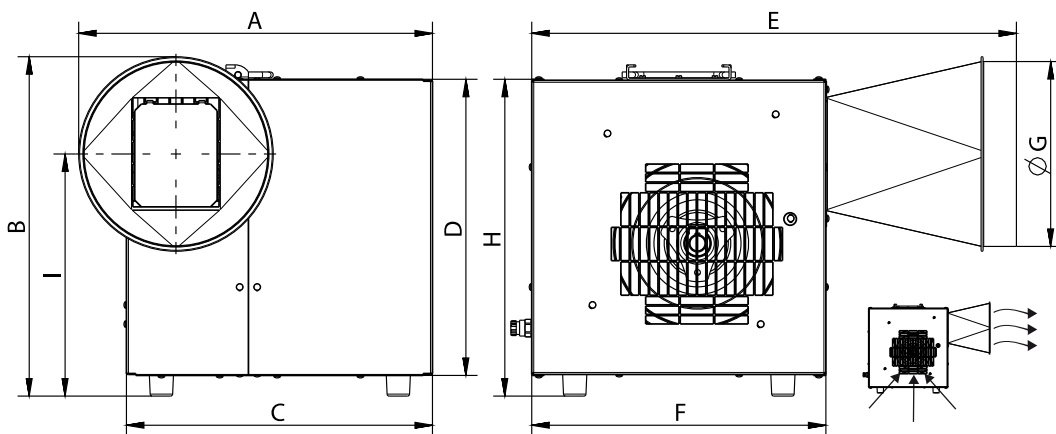
ACOUSTIC DATA



Sound power	
63 Hz	46
125 Hz	57
250 Hz	69
500 Hz	75
1000 Hz	80
2000 Hz	77
4000 Hz	75
8000 Hz	66
TOTAL	84

Sound pressure 1.5m (in)	
63 Hz	31
125 Hz	42
250 Hz	55
500 Hz	61
1000 Hz	66
2000 Hz	63
4000 Hz	60
8000 Hz	52
TOTAL	69

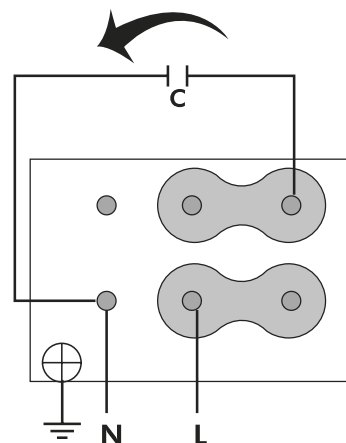
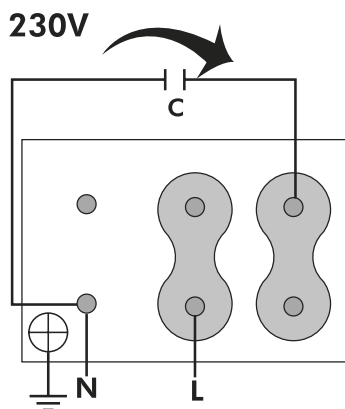
DIMENSIONS



Dimensions (mm)

A	425	B	405	C	370	D	355	E	585
F	355	GØ	223	H	380	I	290		

WIRING DIAGRAM



ACCESSORIES



SAFETY SWITCH
INT 25 3P A
REF: INT253PA



ANTI-VIBRATION JOINT
JE 45
REF: 300719201



SILENCIADOR CIRCULAR
SIL-C 250/375
REF: 960025375



SILENCIADOR CIRCULAR
SIL-CN 250/250
REF: 961025025



SILENCIADOR CIRCULAR
SIL-CN 250/500
REF: 961025050



ANTI-VIBRATING FLANGE 400^ø/2H
BA-400 25
REF: 960002051



SILENCIADOR CIRCULAR
SIL-C 250/250
REF: 960025025



SILENCIADOR CIRCULAR
SIL-C 250/500
REF: 960025050

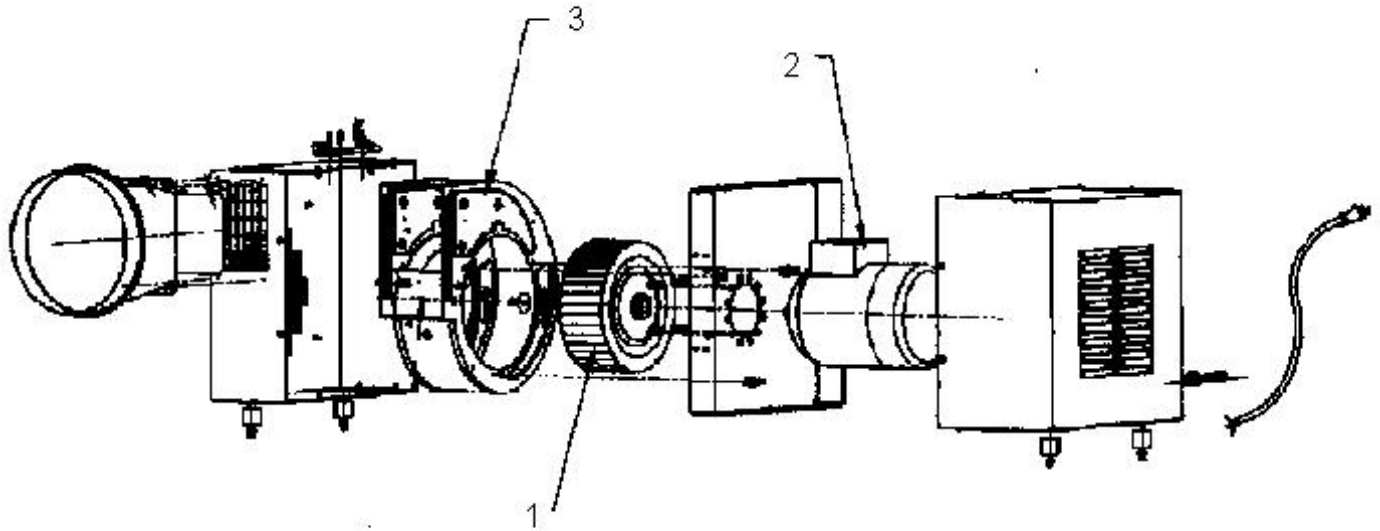


SILENCIADOR CIRCULAR
SIL-CN 250/375
REF: 961025375



CIRCULAR-CIRCULAR ANTI-VIBRATION FLANGE
BAD 7
REF: 960003457

SPARE PARTS



	Code	Model	RPM	Degrees
1	253199381	1 x TURBINE GALV.200X82X19 LG	-	-
2	300379101	1 x MOTOR 1,5CV.3000 B14 230V(IEC80	-	-
3	253259421	1 x CASING BC120/8	-	-