

BCI 25/10 M2 1,5kW

GENERAL DATA

FAN PORTABLE FOR INFLATABLE



MANUFACTURING FEATURES:

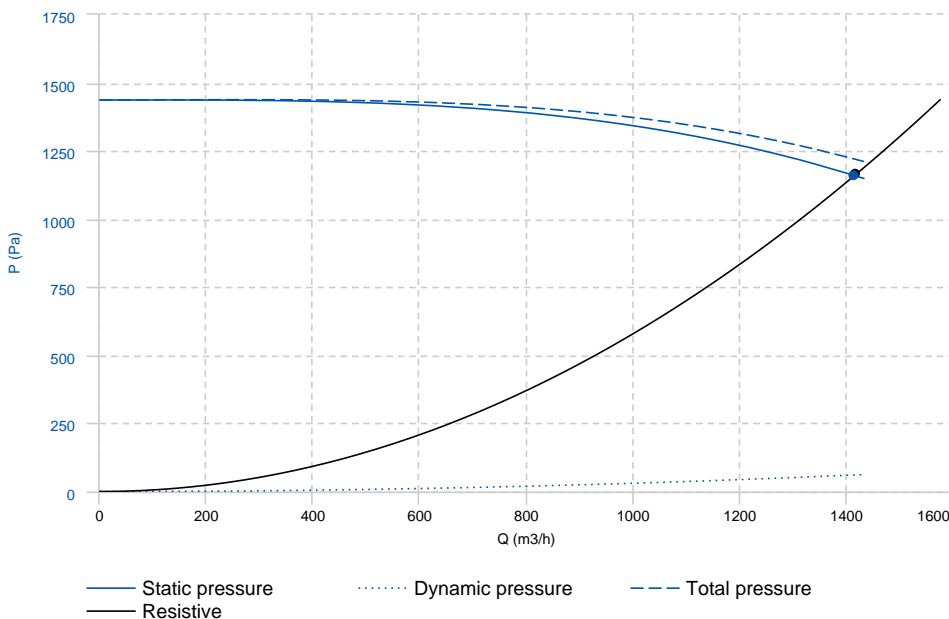
- Fully made of galvanised steel sheet.
- Simple inlet forward curved impeller in all models.
- Portable box with anti-return valve.
- Circular outlet for direct connection to duct or inflatable input.
- Standard asynchronous squirrel-cage motor with IP-55 protection and Class F insulation. Manufactured with standard voltages: 230V 50Hz.
- Default assembly position is LG270.

APPLICATIONS:

- Inflatable slides and castles.
- Industrial applications, extraction or injection of air.
- Maximum working temperature: carried air: 130°C, ambient 50°C.

PERFORMANCE CURVE

20°C 0m 1.2 Kg/m³



| Design point | |
|---------------|---------|
| Flow (m3/h) | 1417.65 |
| Pressure (Pa) | 1164.23 |
| Service point | |
| T.max (°C) | 130 |
| Q (m3/h) | 1414.85 |
| Ps (Pa) | 1159.63 |
| Pd (Pa) | 60.73 |
| Pt (Pa) | 1220.36 |
| Speed (m/s) | 10.06 |
| Pabs (kW) | 2.06 |

TECHNICAL DATA

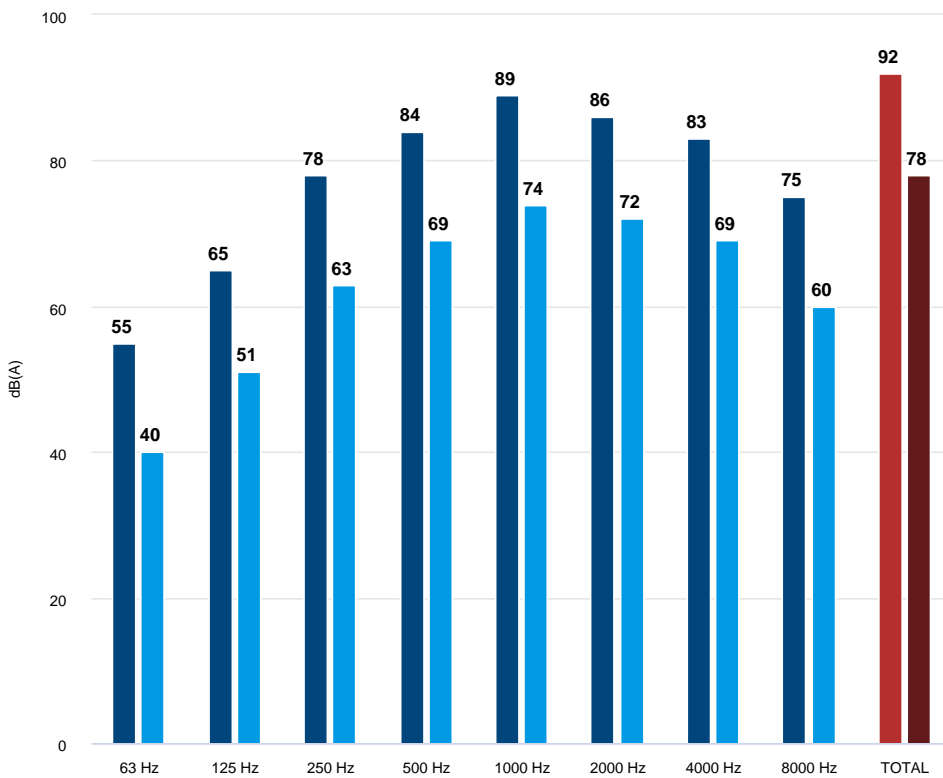
Fan

| | | | | | |
|-----|------|----------------|-------|-----------|-----------|
| RPM | 2800 | Approx. weight | 45 kg | Max. Flow | 1430 m3/h |
|-----|------|----------------|-------|-----------|-----------|

Motor

| | | | | | | | |
|-------|--------|-----|------|---------------|--------|----------------|-------|
| Power | 1,5 kW | RPM | 2800 | I max. (230V) | 9,44 A | Approx. weight | 13 kg |
|-------|--------|-----|------|---------------|--------|----------------|-------|

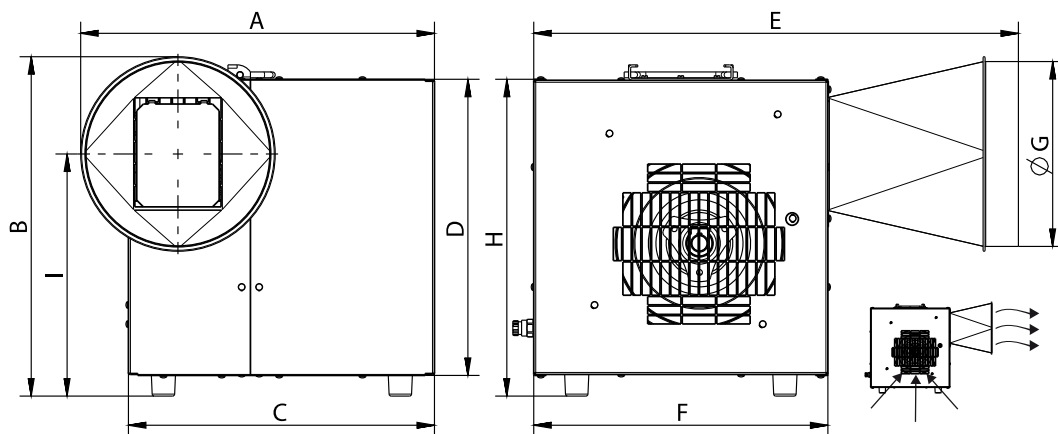
ACOUSTIC DATA



| Sound power | |
|-------------|----|
| 63 Hz | 55 |
| 125 Hz | 65 |
| 250 Hz | 78 |
| 500 Hz | 84 |
| 1000 Hz | 89 |
| 2000 Hz | 86 |
| 4000 Hz | 83 |
| 8000 Hz | 75 |
| TOTAL | 92 |

| Sound pressure 1.5m (in) | |
|--------------------------|----|
| 63 Hz | 40 |
| 125 Hz | 51 |
| 250 Hz | 63 |
| 500 Hz | 69 |
| 1000 Hz | 74 |
| 2000 Hz | 72 |
| 4000 Hz | 69 |
| 8000 Hz | 60 |
| TOTAL | 78 |

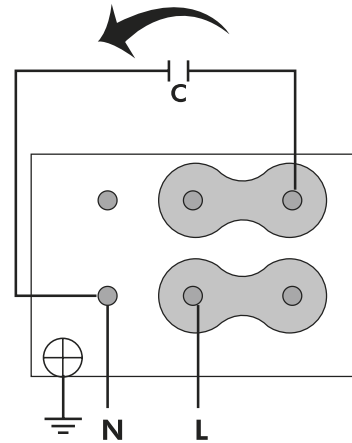
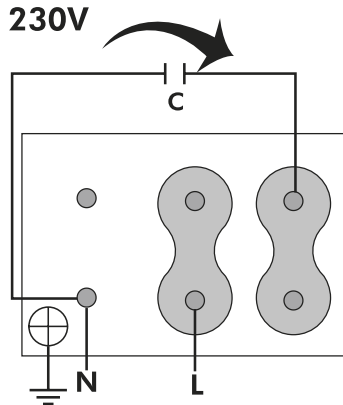
DIMENSIONS



Dimensions (mm)

| | | | | | | | | | |
|---|-----|----|-----|---|-----|---|-----|---|-----|
| A | 490 | B | 450 | C | 445 | D | 405 | E | 595 |
| F | 405 | GØ | 223 | H | 430 | I | 330 | | |

WIRING DIAGRAM



ACCESSORIES



SAFETY SWITCH
INT 25 3P A
REF: INT253PA



ANTI-VIBRATING FLANGE 400^ø/2H
BA-400 25
REF: 960002051



ANTI-VIBRATION JOINT
JE 45
REF: 300719201



SILENCIADOR CIRCULAR
SIL-C 250/250
REF: 960025025



SILENCIADOR CIRCULAR
SIL-C 250/375
REF: 960025375



SILENCIADOR CIRCULAR
SIL-C 250/500
REF: 960025050



SILENCIADOR CIRCULAR
SIL-CN 250/250
REF: 961025025



SILENCIADOR CIRCULAR
SIL-CN 250/375
REF: 961025375

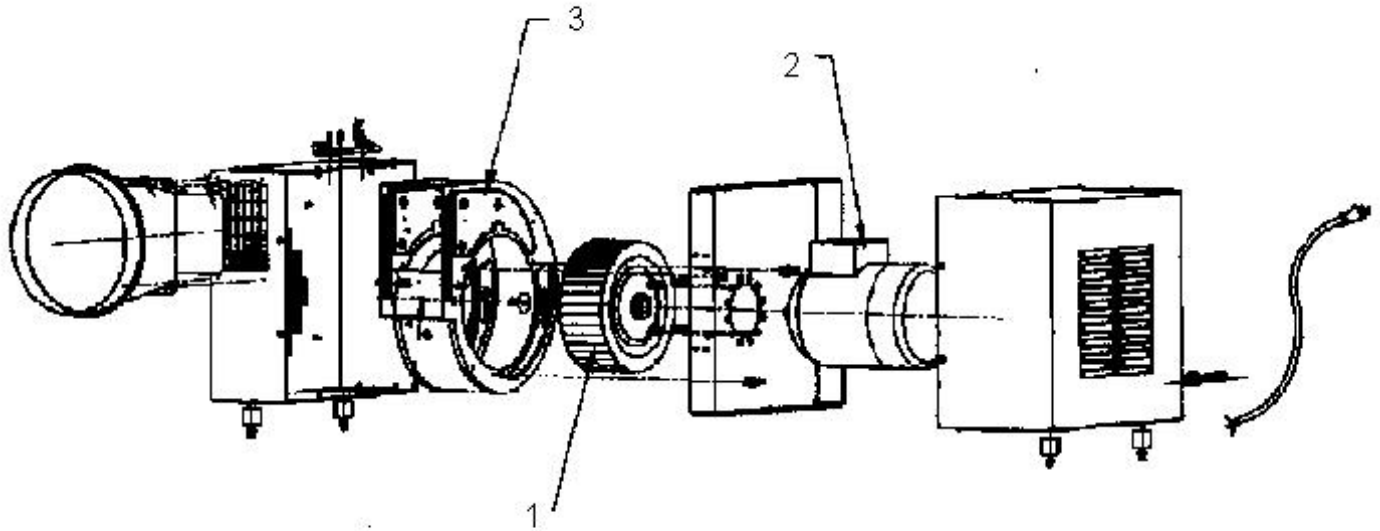


SILENCIADOR CIRCULAR
SIL-CN 250/500
REF: 961025050



CIRCULAR-CIRCULAR ANTI-VIBRATION FLANGE
BAD 7
REF: 960003457

SPARE PARTS



| | Code | Model | RPM | Degrees |
|---|-----------|----------------------------------|-----|---------|
| 1 | 253289381 | 1 x TURBINE GALV.250X102X24 LG | - | - |
| 2 | 720301171 | 1 x MOTOR 1,5kW M2 B5 230V IEC90 | - | - |
| 3 | 253269421 | 1 x CASING BC122/9-25/10 | - | - |