

AAVP/N 452 T2 1,5kW

GENERAL DATA



HIGH PRESSURE WITH BACKWARD IMPELLER

MANUFACTURING FEATURES:

- Fan made of Fe360 sheet. The fan paint finish is based on a Qualicoat polyester powder coating stoved at 200°C, with an average film thickness of 70 microns. Average heat resistance of coating is 180°C with peaks of 200°C.
- Fully welded housing.
- High efficiency simple inlet backward impeller with self-cleaning system made of Fe360 sheet statically and dynamically balanced. Impellers are painted with polyester y primer that resists temperatures up to 300°C.
- Standard asynchronous squirrel-cage motor with IP-55 protection and class F insulation. Manufactured with standard voltages: 230/400V 50Hz in three phase motors up to 4kW and 400/690V 50Hz for higher powers.
- Standard orientation LG270.
- It allows adjusting the orientation locally from models 400 to 630. Models sizes from 710 to 1120 size the orientation is fixed.

APPLICATIONS:

Designed for inline installation, they are suitable for:

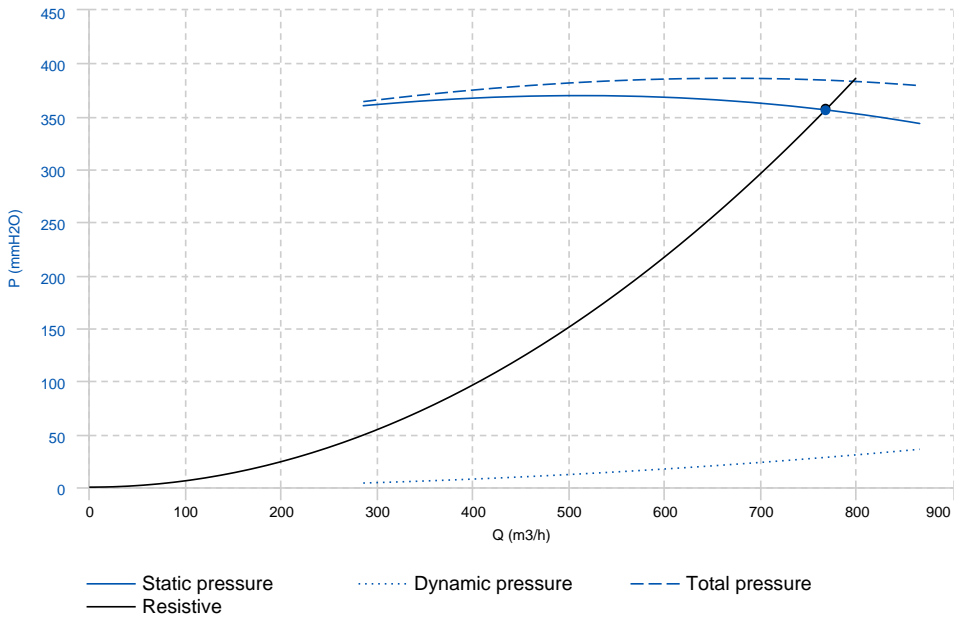
- Industrial applications, extraction or injection of air.
- Cooling of machines and parts.
- Clean and slightly dusty air transport.
- Exhaust after filters, separators and cyclones.
- Pneumatic transport.
- Maximum working temperature: carried air: 130°C, ambient 60°C.

UNDER REQUEST

- Fans for 60Hz and special voltages.
- 2 speed motor.
- C4 or C5 coating painting
- Hot dip galvanized
- Special steel (Cor-Ten A, Hardox...)
- Inox 304 (normal or electropolished finish)
- Inox 316 (normal or electropolished finish)
- Cooling wheel
- Anticaloric paint
- Reinforced housing
- Fully welded housing (waterproof)
- Insulated housing
- Split casing (for big sizes)
- Inspection door to facilitate maintenance and cleaning
- Drain plug.
- Airtight axle
- Frontal foot
- Double suction flange
- Available in the following versions:
 - Non-sparking air passage and standard motor.
 - ATEX II2GD Ex_na
 - ATEX II2G Ex_e
 - ATEX II3GD Ex_d
- Other brands of motors.
- Orientation: RD0, RD45, RD90, RD135, RD180, RD225, RD270, RD315, LG0, LG45, LG90, LG135, LG180. LG225, LG315.

PERFORMANCE CURVE

20°C 0m 1.2 Kg/m³



Design point

Flow (m3/h)	767.68
Pressure (mmH2O)	356.8

Service point

T.max (°C)	130
Q (m3/h)	766.86
Ps (mmH2O)	356.04
Pd (mmH2O)	28.09
Pt (mmH2O)	384.13
Speed (m/s)	21.43

TECHNICAL DATA

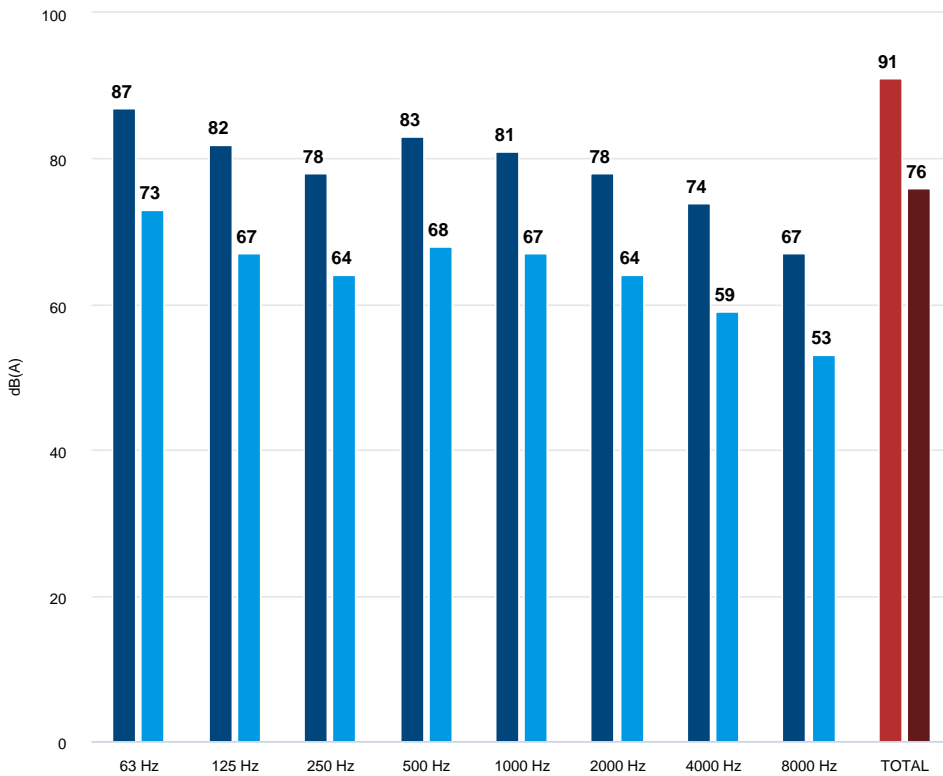
Fan

RPM	2865	Approx. weight	67 kg	Max. Flow	870 m3/h
-----	------	----------------	-------	-----------	----------

Motor

Power	1,5 kW	RPM	2865	I max. (230V)	5.83 A	I max. (400V)	3,14 A
Size	90L	Approx. weight	23.5 kg	Efficiency (%)	82 %	FP	0.83

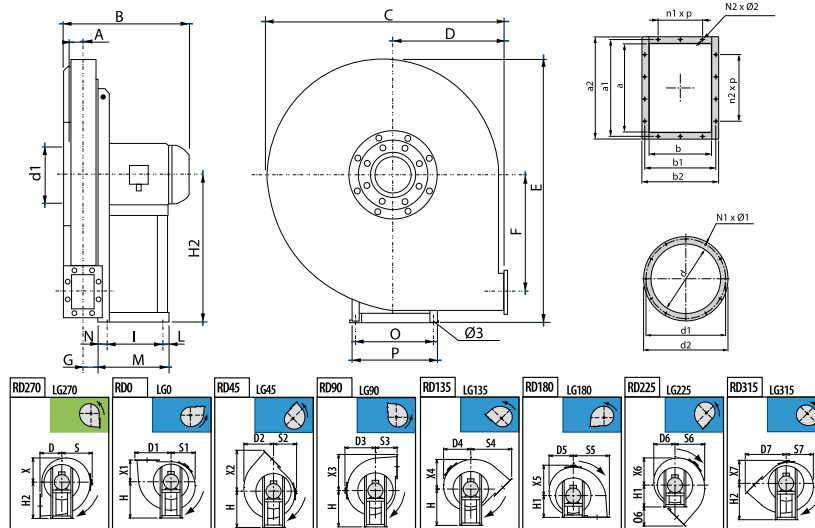
ACOUSTIC DATA



Sound power	
63 Hz	87
125 Hz	82
250 Hz	78
500 Hz	83
1000 Hz	81
2000 Hz	78
4000 Hz	74
8000 Hz	67
TOTAL	91

Sound pressure 1.5m (in)	
63 Hz	73
125 Hz	67
250 Hz	64
500 Hz	68
1000 Hz	67
2000 Hz	64
4000 Hz	59
8000 Hz	53
TOTAL	76

DIMENSIONS



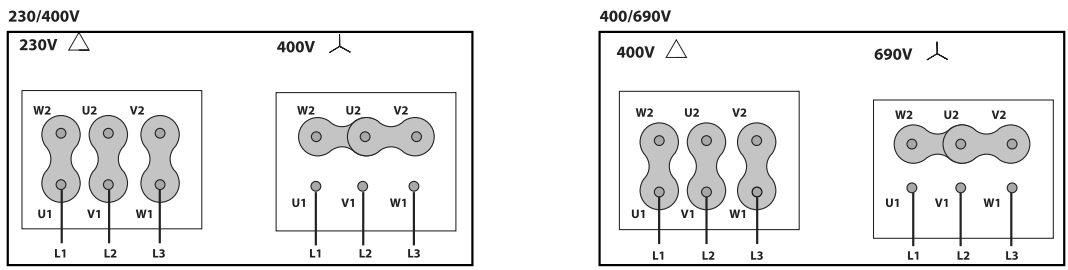
Dimensions (mm)

A	50	B	400	C	675	D	300	D1	387
D2	350	D3	375	D4	335	D5	314	D6	319
D7	486	E	714	F	298	G	47	H	400
H1	400	H2	400	I	133	L	58	M	246
N	55	N1 x Ø1	8 x 8	N2 x Ø2	4x10	O	234	O6	186


Dimensions (mm)


P	260	S	375	S1	314	S2	319	S3	300
S4	486	S5	387	S6	350	S7	335	X	314
X1	300	X2	486	X3	387	X4	350	X5	375
X6	335	X7	319	a	117	a1	151	a2	177
b	85	b1	119	b2	145	d	165	d1	200
d2	235	n1 x p	-	n2 x p	-	Ø3	10		


WIRING DIAGRAM





ACCESSORIES


- 

SAFETY SWITCH
INT 25 3P A
REF: INT253PA
- 

ANTI-VIBRATING FLANGE 400^ø/2H
BA-400 20
REF: 960002066
- 

ANTI-VIBRATION JOINT
JE 45
REF: 300719201
- 

CONNECTION FLANGE
AC 175
REF: 960003205
- 

INLET PROTECTION GUARD FOR CENTRIFUGAL FANS
RA 165x8
REF: 510001600
- 

OUTLET PROTECTION GUARD FOR FANS
RI 117x85
REF: 510101100



CIRCULAR OUTLET CONNECTION FLANGE
EI 117x85-175
REF: 510201100



CIRCULAR-CIRCULAR ANTI-VIBRATION FLANGE
BAD 5
REF: 960003455



FRONTAL FEET SUPORT
FS 450



FREQUENCY SPEED CONTROLLER
SFC 230 I 7A *
REF: SFC230I007



FREQUENCY SPEED CONTROLLER
SFC 400 III 3,6A *
REF: SFC400III4

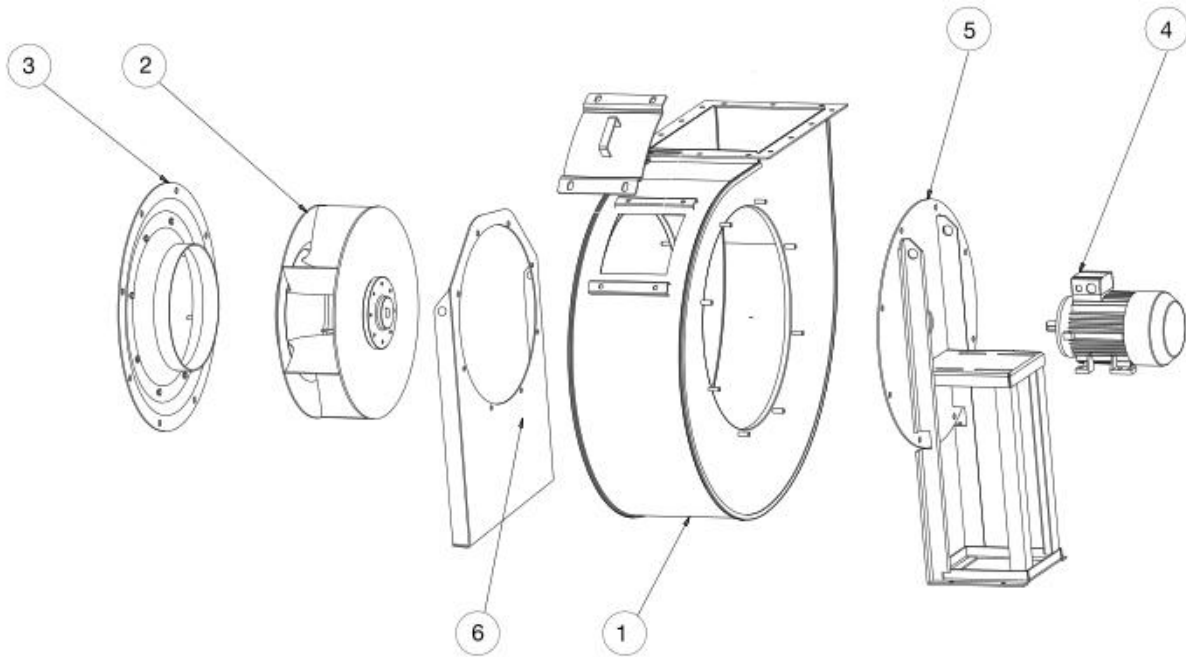


ANTI-VIBRATION RUBBER BLOCK
AVR (GENERIC)



ANTI-VIBRATION SPRING BLOCK
AVS (GENERIC)

SPARE PARTS



	Code	Model	RPM	Degrees
2	T02604519	1 x TURBINE AAVP/N 452 T2 1,5kW LG	-	-
3	505504500SP04	1 x INLET CONE AAVP-AAZVP 450	-	-
4	721001047	1 x MOTOR 1,5KW T2 B5 230/400V IEC90	-	-