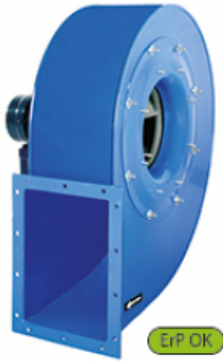


# AAVM/N 560 T2 11kW

## GENERAL DATA



### HIGH PRESSURE WITH BACKWARD IMPELLER

#### MANUFACTURING FEATURES:

- Fan made of Fe360 sheet. The fan paint finish is based on a Qualicoat polyester powder coating stoved at 200°C, with an average film thickness of 70 microns. Average heat resistance of coating is 180°C with peaks of 200°C.
- Fully welded housing.
- High efficiency simple inlet backward impeller with self-cleaning system made of Fe360 sheet statically and dynamically balanced. Impellers are painted with polyester primer that resists temperatures up to 300°C.
- Standard asynchronous squirrel-cage motor with IP-55 protection and class F insulation. Manufactured with standard voltages: 230/400V 50Hz in three phase motors up to 4kW and 400/690V 50Hz for higher powers.
- Standard orientation LG270.
- It allows adjusting the orientation locally from models 350 to 630. Models sizes from 710 to 1000 size the orientation is fixed.

#### APPLICATIONS:

Designed for inline installation, they are suitable for:

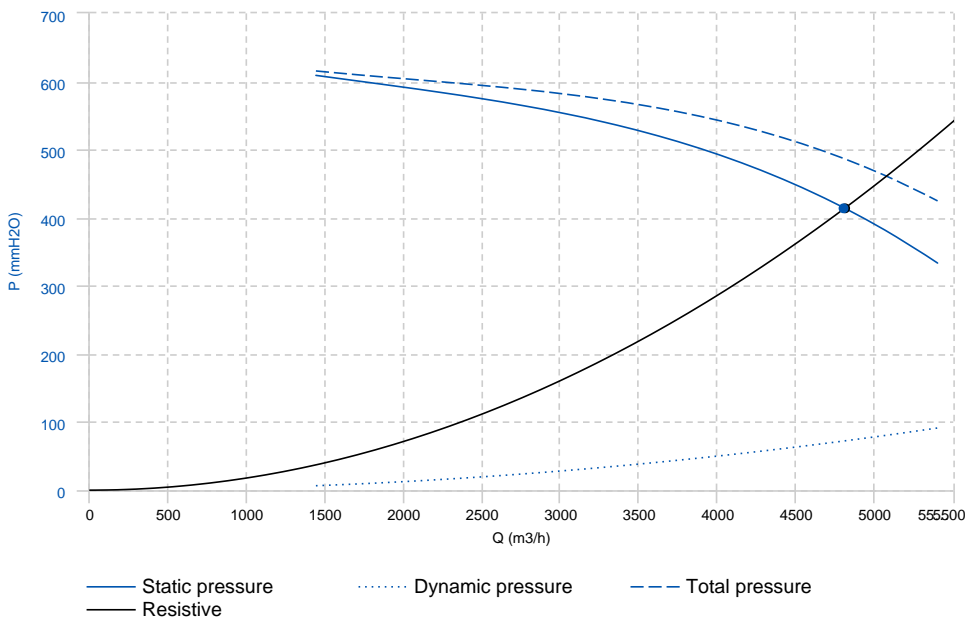
- Industrial applications, extraction or injection of air.
- Cooling of machines and parts.
- Clean and slightly dusty air transport.
- Exhaust after filters, separators and cyclones.
- Pneumatic transport.
- Maximum working temperature: carried air: 130°C, ambient: 60°C.

#### UNDER REQUEST

- Fans for 60Hz and special voltages.
- 2 speed motor.
- C4 or C5 coating painting
- Hot dip galvanized
- Special steel (Cor-Ten A, Hardox...)
- Inox 304 (normal or electropolished finish)
- Inox 316 (normal or electropolished finish)
- Cooling wheel
- Anticaloric paint
- Reinforced housing
- Fully welded housing (waterproof)
- Insulated housing
- Split casing (for big sizes)
- Inspection door to facilitate maintenance and cleaning
- Drain plug.
- Airtight axle
- Frontal foot
- Double suction flange
- Available in the following versions:
  - Non-sparking air passage and standard motor.
  - ATEX II2GD Ex\_na
  - ATEX II2G Ex\_e
  - ATEX II3GD Ex\_d
- Other brands of motors.
- Orientation: RD0, RD45, RD90, RD135, RD180, RD225, RD270, RD315, LG0, LG45, LG90, LG135, LG180. LG225, LG315.

## PERFORMANCE CURVE

20°C 0m 1.2 Kg/m<sup>3</sup>



Design point	
Flow (m3/h)	4811.66
Pressure (mmH2O)	414.44
Service point	
T.max (°C)	130
Q (m3/h)	4808.52
Ps (mmH2O)	413.9
Pd (mmH2O)	72.36
Pt (mmH2O)	486.26
Speed (m/s)	34.4

## TECHNICAL DATA

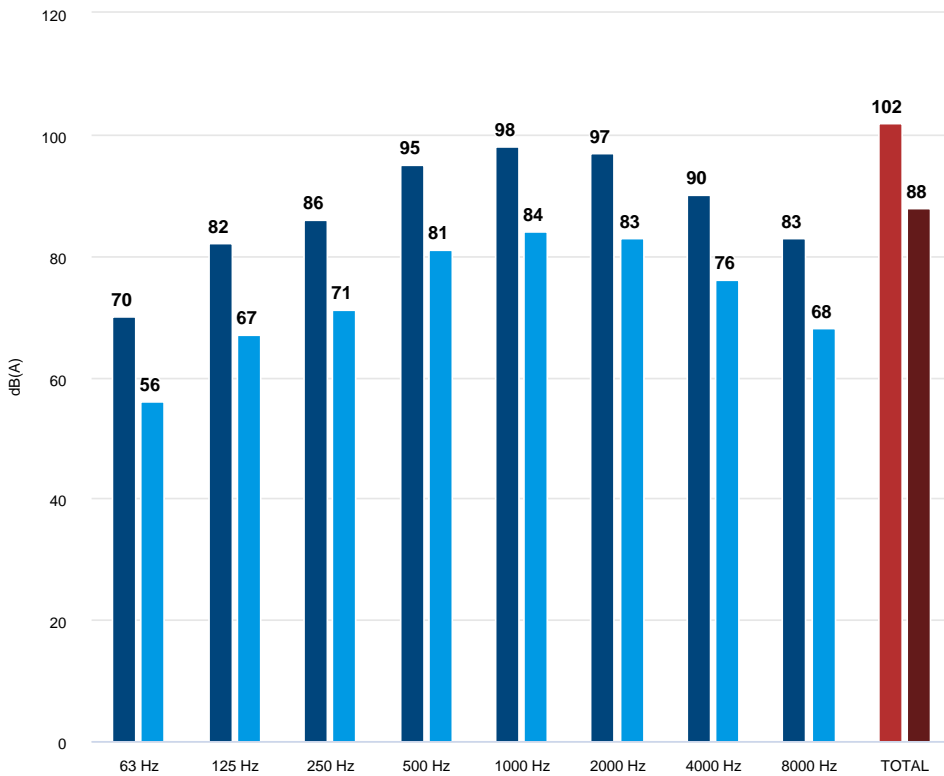
### Fan

RPM	2940	Approx. weight	163 kg	Max. Flow	5400 m3/h
-----	------	----------------	--------	-----------	-----------

### Motor

Power	11 kW	RPM	2940	I max. (400V)	20,8 A	I max. (690V)	12,1 A
Size	160L	Approx. weight	85 kg	Efficiency (%)	90 %	FP	0.85

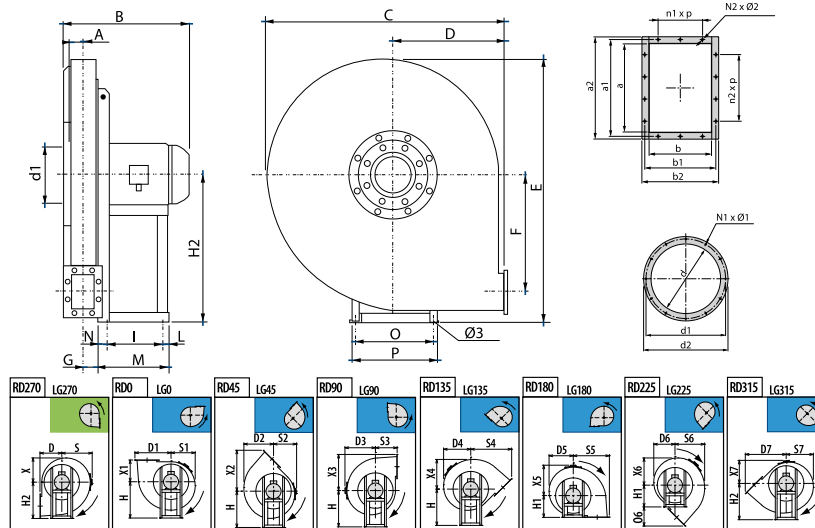
## ACOUSTIC DATA



Sound power	
63 Hz	70
125 Hz	82
250 Hz	86
500 Hz	95
1000 Hz	98
2000 Hz	97
4000 Hz	90
8000 Hz	83
TOTAL	102

Sound pressure 1.5m (in)	
63 Hz	56
125 Hz	67
250 Hz	71
500 Hz	81
1000 Hz	84
2000 Hz	83
4000 Hz	76
8000 Hz	68
TOTAL	88

## DIMENSIONS



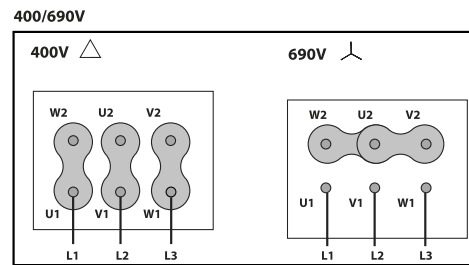
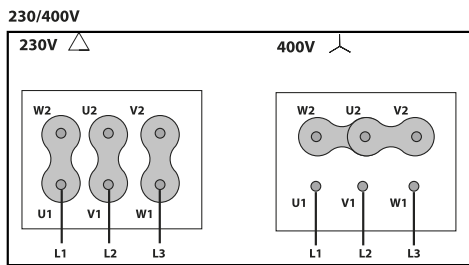
### Dimensions (mm)

A	95	B	684	C	835	D	375	D1	488
D2	438	D3	460	D4	418	D5	393	D6	392
D7	613	E	893	F	337	G	88	H	500
H1	375	H2	500	I	337	L	49	M	436
N	50	N1xØ1	8x12	N2xØ2	8x12	O	395	O6	238

**Dimensions (mm)**

P	440	S	460	S1	393	S2	392	S3	375
S4	613	S5	488	S6	438	S7	418	X	393
X1	375	X2	613	X3	488	X4	438	X5	460
X6	418	X7	392	a	231	a1	265	a2	301
b	166	b1	200	b2	236	d	285	d1	332
d2	365	n1xp	1x112	n2xp	1x112	Ø3	14		

**WIRING DIAGRAM**



**ACCESSORIES**




**SAFETY SWITCH**  
INT 25 3P A  
REF: INT253PA




**ANTI-VIBRATION JOINT**  
JE 45  
REF: 300719201




**OUTLET PROTECTION GUARD FOR FANS**  
RI 231x166  
REF: 510102300



**ANTI-VIBRATING FLANGE 400<sup>ø</sup>/2H**  
BA-400 30/31  
REF: 960002052



**INLET PROTECTION GUARD FOR CENTRIFUGAL FANS**  
RA 285x8  
REF: 510002800



**CIRCULAR OUTLET CONNECTION FLANGE**  
EI 231x166-300  
REF: 510202303



**CIRCULAR-CIRCULAR ANTI-VIBRATION FLANGE  
BAD 9**  
REF: 960003459



**CONECTION FLANGE  
AC 300**  
REF: 960003209



**FRONTAL FEET SUPORT  
FS 560**



**FREQUENCY SPEED CONTROLLER  
SFC 400 III 23A \***  
REF: SFC400III23

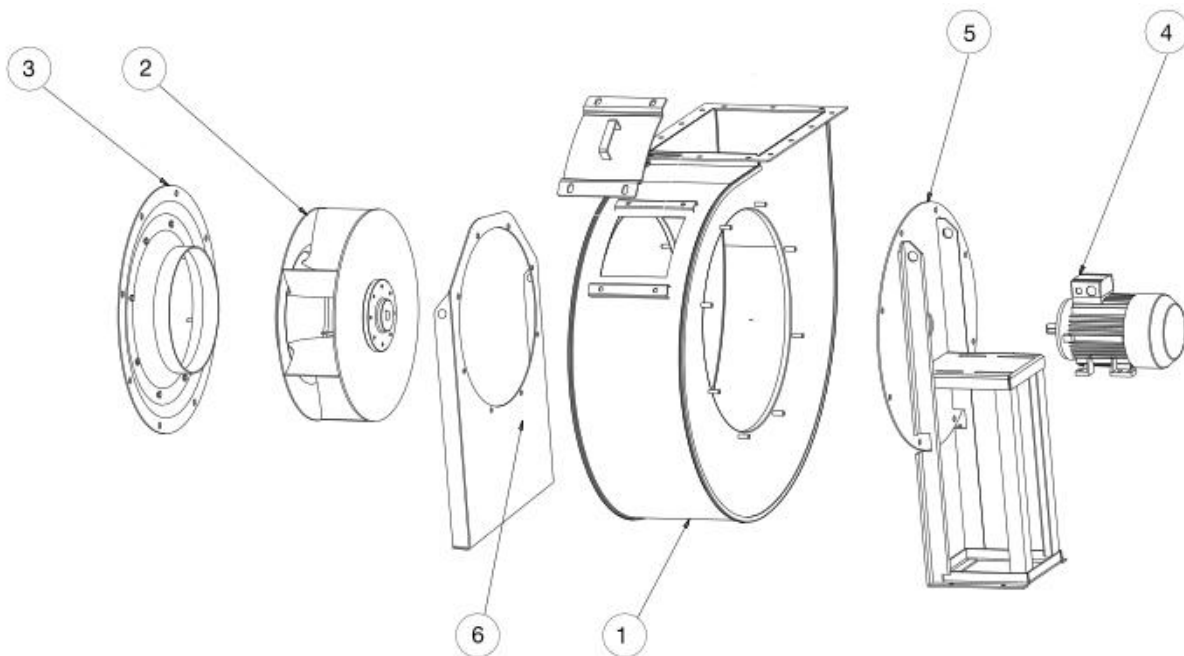


**ANTI-VIBRATION RUBBER BLOCK  
AVR (GENERIC)**



**ANTI-VIBRATION SPRING BLOCK  
AVS (GENERIC)**

## SPARE PARTS



	Code	Model	RPM	Degrees
2	T02805621	1 x TURBINE AAVM/N 560 T2 11kW LG	-	-
3	505105600SP04	1 x INLET CONE AAVM-AAZVM 560	-	-
4	721001086	1 x MOTOR 11KW T2 B3 400/690V IEC160	-	-