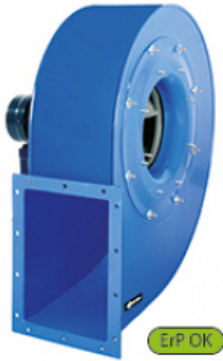


AAVM/N 712 T4 5,5kW

GENERAL DATA



HIGH PRESSURE WITH BACKWARD IMPELLER

MANUFACTURING FEATURES:

- Fan made of Fe360 sheet. The fan paint finish is based on a Qualicoat polyester powder coating stoved at 200°C, with an average film thickness of 70 microns. Average heat resistance of coating is 180°C with peaks of 200°C.
- Fully welded housing.
- High efficiency simple inlet backward impeller with self-cleaning system made of Fe360 sheet statically and dynamically balanced. Impellers are painted with polyester primer that resists temperatures up to 300°C.
- Standard asynchronous squirrel-cage motor with IP-55 protection and class F insulation. Manufactured with standard voltages: 230/400V 50Hz in three phase motors up to 4kW and 400/690V 50Hz for higher powers.
- Standard orientation LG270.
- It allows adjusting the orientation locally from models 350 to 630. Models sizes from 710 to 1000 size the orientation is fixed.

APPLICATIONS:

Designed for inline installation, they are suitable for:

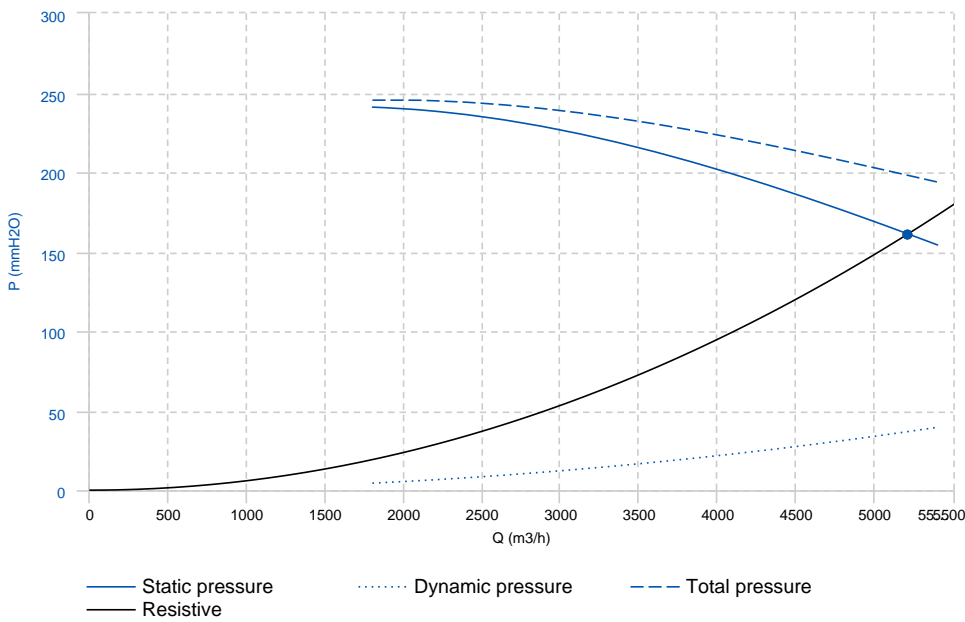
- Industrial applications, extraction or injection of air.
- Cooling of machines and parts.
- Clean and slightly dusty air transport.
- Exhaust after filters, separators and cyclones.
- Pneumatic transport.
- Maximum working temperature: carried air: 130°C, ambient: 60°C.

UNDER REQUEST

- Fans for 60Hz and special voltages.
- 2 speed motor.
- C4 or C5 coating painting
- Hot dip galvanized
- Special steel (Cor-Ten A, Hardox...)
- Inox 304 (normal or electropolished finish)
- Inox 316 (normal or electropolished finish)
- Cooling wheel
- Anticaloric paint
- Reinforced housing
- Fully welded housing (waterproof)
- Insulated housing
- Split casing (for big sizes)
- Inspection door to facilitate maintenance and cleaning
- Drain plug.
- Airtight axle
- Frontal foot
- Double suction flange
- Available in the following versions:
 - Non-sparking air passage and standard motor.
 - ATEX II2GD Ex_na
 - ATEX II2G Ex_e
 - ATEX II3GD Ex_d
- Other brands of motors.
- Orientation: RD0, RD45, RD90, RD135, RD180, RD225, RD270, RD315, LG0, LG45, LG90, LG135, LG180. LG225, LG315.

PERFORMANCE CURVE

20°C 0m 1.2 Kg/m³



Design point	
Flow (m3/h)	5212.64
Pressure (mmH2O)	161.3
Service point	
T.max (°C)	130
Q (m3/h)	5211.37
Ps (mmH2O)	161.22
Pd (mmH2O)	36.85
Pt (mmH2O)	198.07
Speed (m/s)	24.55

TECHNICAL DATA

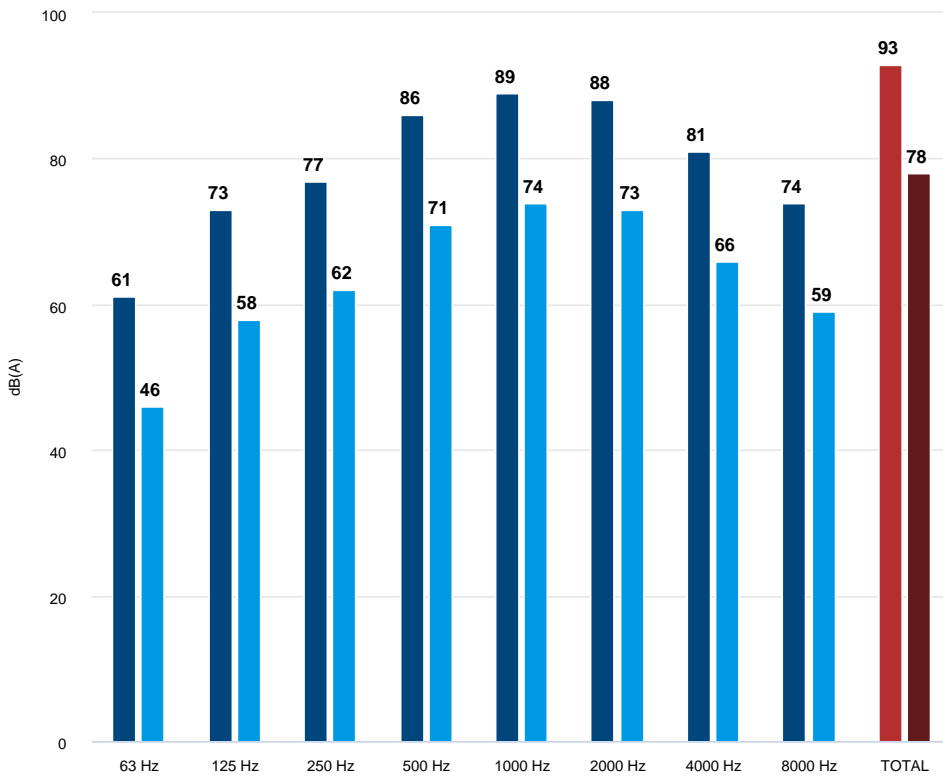
Fan

RPM	1460	Approx. weight	211 kg	Max. Flow	5400 m3/h
-----	------	----------------	--------	-----------	-----------

Motor

Power	5,5 kW	RPM	1460	I max. (400V)	10,5 A	I max. (690V)	6,09 A
Size	132S	Approx. weight	67 kg	Efficiency (%)	88.1 %	FP	0.86

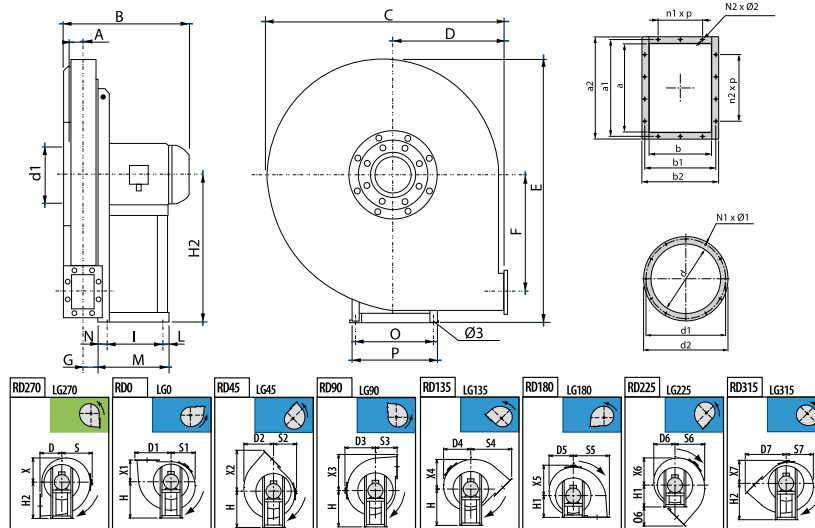
ACOUSTIC DATA



Sound power	
63 Hz	61
125 Hz	73
250 Hz	77
500 Hz	86
1000 Hz	89
2000 Hz	88
4000 Hz	81
8000 Hz	74
TOTAL	93

Sound pressure 1.5m (in)	
63 Hz	46
125 Hz	58
250 Hz	62
500 Hz	71
1000 Hz	74
2000 Hz	73
4000 Hz	66
8000 Hz	59
TOTAL	78

DIMENSIONS



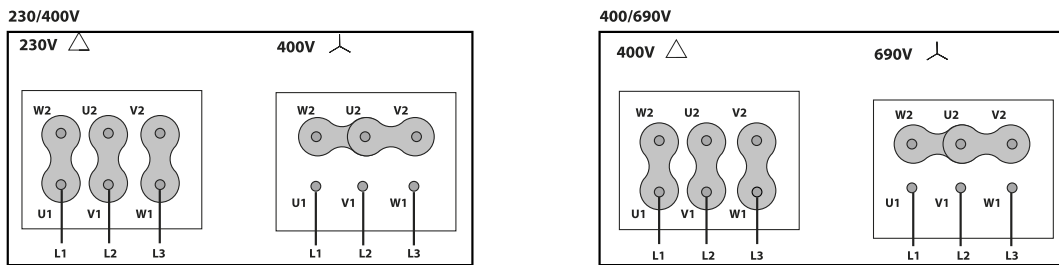
Dimensions (mm)

A	115	B	623	C	1045	D	475	D1	610
D2	547	D3	570	D4	522	D5	493	D6	489
D7	767	E	1123	F	426	G	108	H	630
H1	475	H2	630	I	237	L	59	M	336
N	40	N1xØ1	8x12	N2xØ2	10x12	O	337	O6	292

Dimensions (mm)

P	372	S	570	S1	493	S2	489	S3	475
S4	767	S5	610	S6	547	S7	522	X	493
X1	475	X2	767	X3	610	X4	547	X5	570
X6	522	X7	489	a	288	a1	332	a2	368
b	205	b1	249	b2	285	d	360	d1	405
d2	440	n1xp	1x125	n2xp	2x125	Ø3	12		

WIRING DIAGRAM



ACCESSORIES



SAFETY SWITCH
INT 25 3P A
REF: INT253PA



CONNECTION FLANGE
AC 350
REF: 960003211



ANTI-VIBRATING FLANGE 400²/2H
BA-400 35
REF: 960002053



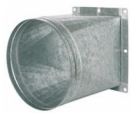
ANTI-VIBRATION JOINT
JE 45
REF: 300719201



INLET PROTECTION GUARD FOR CENTRIFUGAL FANS
RA 360x8
REF: 510003600



OUTLET PROTECTION GUARD FOR FANS
RI 288x205
REF: 510102800



CIRCULAR OUTLET CONNECTION FLANGE
EI 288x205-350
REF: 510202803



CIRCULAR-CIRCULAR ANTI-VIBRATION FLANGE
BAD 10
REF: 960003460



FREQUENCY SPEED CONTROLLER
SFC 400 III 12A *
REF: SFC400III12

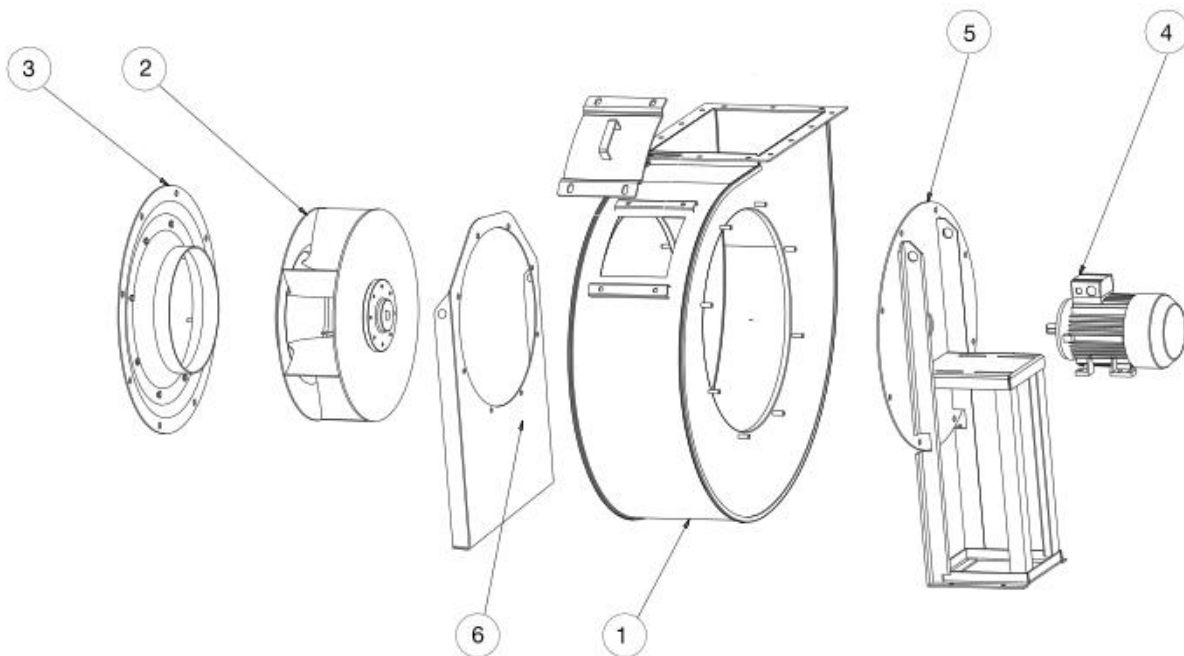


ANTI-VIBRATION RUBBER BLOCK
AVR (GENERIC)



ANTI-VIBRATION SPRING BLOCK
AVS (GENERIC)

SPARE PARTS



	Code	Model	RPM	Degrees
2	T02807161	1 x TURBINE AAVM/N 712 T4 5,5kW LG	-	-
3	505107100SP04	1 x INLET CONE AAVM-AAZVM 710	-	-
4	721001181	1 x MOTOR 5,5kW T4 B3 400/690V IEC132	-	-