

AAVC/N 630 T2 4kW

GENERAL DATA



HIGH PRESSURE WITH BACKWARD IMPELLER

MANUFACTURING FEATURES:

- Fan made of Fe360 sheet. The fan paint finish is based on a Qualicoat polyester powder coating stoved at 200°C, with an average film thickness of 70 microns. Average heat resistance of coating is 180°C with peaks of 200°C.
- Fully welded housing.
- High efficiency simple inlet backward impeller with self-cleaning system made of Fe360 sheet statically and dynamically balanced. Impellers are painted with polyester y primer that resists temperatures up to 300°C.
- Standard asynchronous squirrel-cage motor with IP-55 protection and class F insulation. Manufactured with standard voltages: 230/400V 50Hz in three phase motors up to 4kW and 400/690V 50Hz for higher powers.
- Standard orientation LG270.
- It allows adjusting the orientation locally

APPLICATIONS:

Designed for inline installation, they are suitable for:

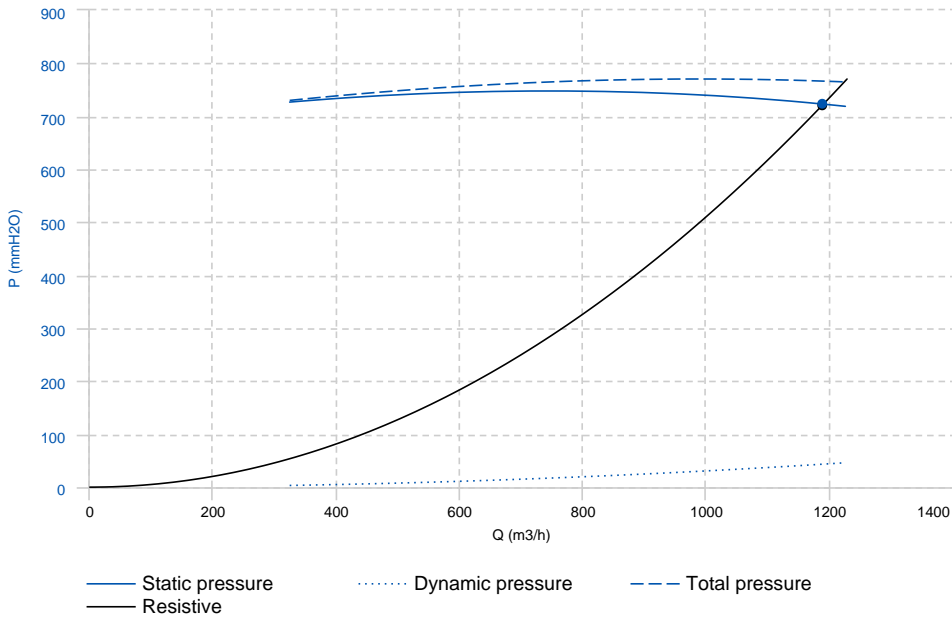
- Industrial applications, extraction or injection of air.
- Cooling of machines and parts.
- Clean air transport.
- Exhaust after filters, separators and cyclones.
- Pneumatic transport.
- Maximum working temperature: carried air: 130°C, ambient: 60°C.

UNDER REQUEST

- Fans for 60Hz and special voltages.
- 2 speed motor.
- C4 or C5 coating painting
- Hot dip galvanized
- Special steel (Cor-Ten A, Hardox...)
- Inox 304 (normal or electropolished finish)
- Inox 316 (normal or electropolished finish)
- Cooling wheel
- Anticaloric paint
- Reinforced housing
- Fully welded housing (waterproof)
- Insulated housing
- Split casing (for big sizes)
- Inspection door to facilitate maintenance and cleaning
- Drain plug.
- Airtight axle
- Frontal foot
- Double suction flange
- Available in the following versions:
 - Non-sparking air passage and standard motor.
 - ATEX II2GD Ex_na
 - ATEX II2G Ex_e
 - ATEX II3GD Ex_d
- Other brands of motors.
- Orientation: RD0, RD45, RD90, RD135, RD180, RD225, RD270, RD315, LG0, LG45, LG90, LG135, LG180. LG225, LG315.

PERFORMANCE CURVE

20°C 0m 1.2 Kg/m³



Design point	
Flow (m3/h)	1187.85
Pressure (mmH2O)	721.13
Service point	
T.max (°C)	130
Q (m3/h)	1189.39
Ps (mmH2O)	723
Pd (mmH2O)	43.42
Pt (mmH2O)	766.42
Speed (m/s)	26.64

TECHNICAL DATA

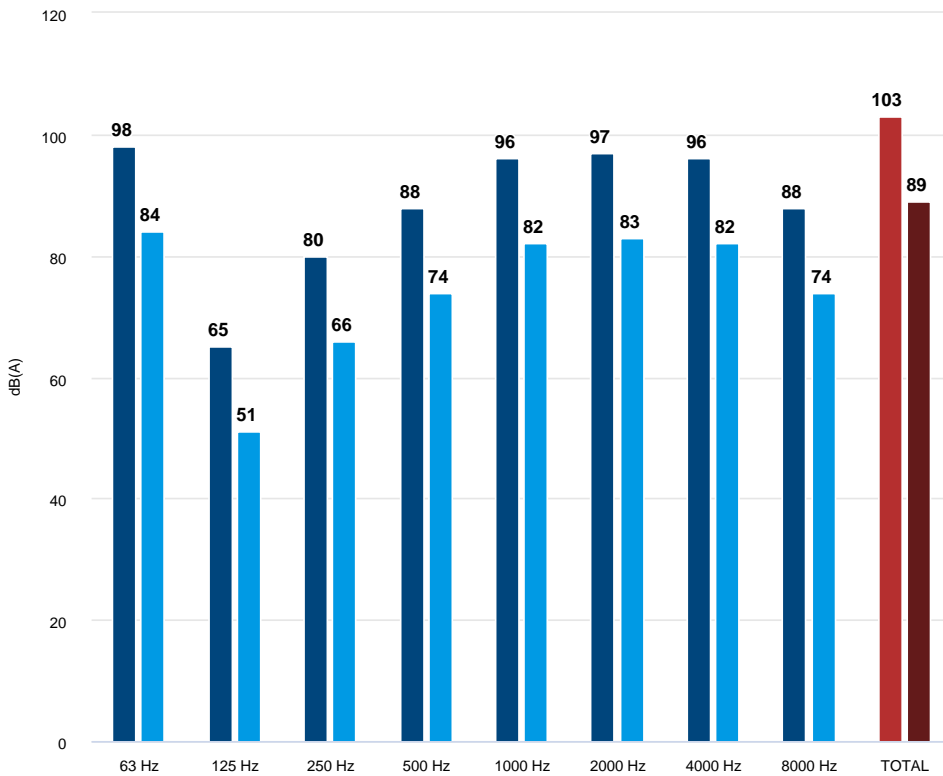
Fan

RPM	2880	Approx. weight	133 kg	Max. Flow	1230 m3/h
-----	------	----------------	--------	-----------	-----------

Motor

Power	4 kW	RPM	2880	I max. (230V)	13,3 A	I max. (400V)	7,63 A
Size	112M	Approx. weight	43.5 kg	Efficiency (%)	86 %	FP	0.88

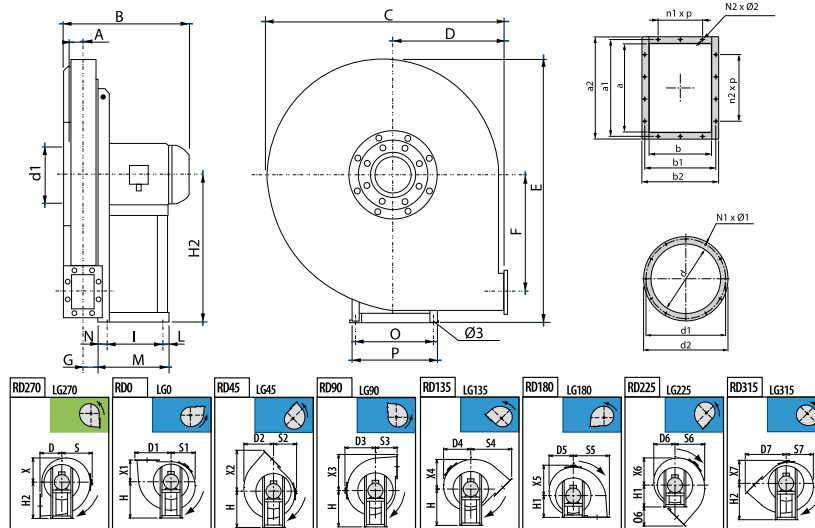
ACOUSTIC DATA



Sound power	
63 Hz	98
125 Hz	65
250 Hz	80
500 Hz	88
1000 Hz	96
2000 Hz	97
4000 Hz	96
8000 Hz	88
TOTAL	103

Sound pressure 1.5m (in)	
63 Hz	84
125 Hz	51
250 Hz	66
500 Hz	74
1000 Hz	82
2000 Hz	83
4000 Hz	82
8000 Hz	74
TOTAL	89

DIMENSIONS



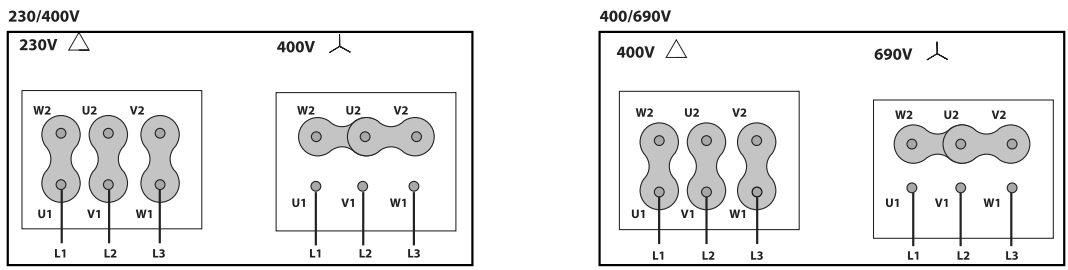
Dimensions (mm)

A	58	B	463	C	940	D	425	D1	539
D2	493	D3	515	D4	472	D5	441	D6	438
D7	681	E	1001	F	443	G	53	H	560
H1	560	H2	560	I	197	L	49	M	276
N	30	N1 x Ø1	8X8	N2 x Ø2	6x10	O	289	O6	256


Dimensions (mm)


P	324	S	515	S1	441	S2	438	S3	425
S4	681	S5	539	S6	493	S7	472	X	441
X1	425	X2	681	X3	539	X4	493	X5	515
X6	472	X7	438	a	131	a1	165	a2	191
b	95	b1	129	b2	155	d	185	d1	219
d2	250	n1 x p	-	n2 x p	1x100	Ø3	12		


WIRING DIAGRAM





ACCESSORIES


- 

SAFETY SWITCH
INT 25 3P A
REF: INT253PA
- 

ANTI-VIBRATING FLANGE 400^ø/2H
BA-400 20
REF: 960002066
- 

ANTI-VIBRATION JOINT
JE 45
REF: 300719201
- 

CONNECTION FLANGE
AC 200
REF: 960003206
- 

INLET PROTECTION GUARD FOR CENTRIFUGAL FANS
RA 185x8
REF: 510001800
- 

OUTLET PROTECTION GUARD FOR FANS
RI 131x95
REF: 510101300



CIRCULAR OUTLET CONNECTION FLANGE
EI 131x95-200
REF: 510201300



CIRCULAR-CIRCULAR ANTI-VIBRATION FLANGE
BAD 6
REF: 960003456



FRONTAL FEET SUPORT
FS 630



FREQUENCY SPEED CONTROLLER
SFC 400 III 8A *
REF: SFC400III8

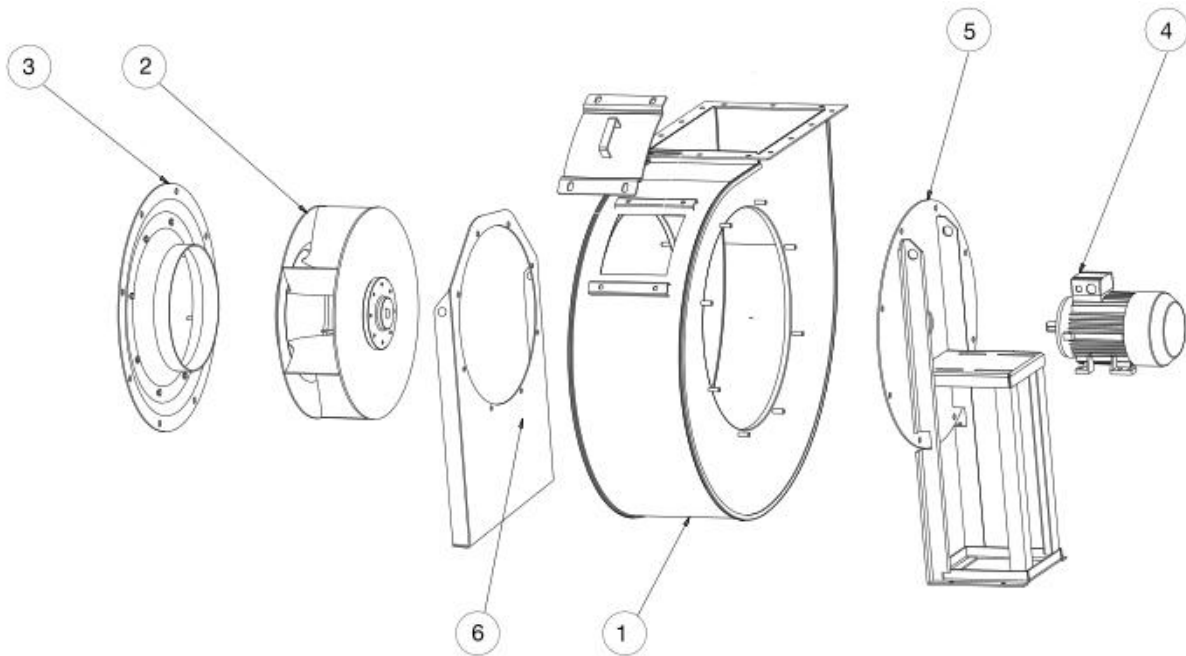


ANTI-VIBRATION RUBBER BLOCK
AVR (GENERIC)



ANTI-VIBRATION SPRING BLOCK
AVS (GENERIC)

SPARE PARTS



	Code	Model	RPM	Degrees
2	T02506332	1 x TURBINE AAVC/N 630 T2 4kW LG	-	-
3	505206300SP04	1 x INLET CONE AAVC-AAZVC 630	-	-
4	721001065	1 x MOTOR 4KW T2 B3 230/400V IEC112	-	-