

# AAVC/N 630 T2 5,5kW

## GENERAL DATA



### HIGH PRESSURE WITH BACKWARD IMPELLER

#### MANUFACTURING FEATURES:

- Fan made of Fe360 sheet. The fan paint finish is based on a Qualicoat polyester powder coating stoved at 200°C, with an average film thickness of 70 microns. Average heat resistance of coating is 180°C with peaks of 200°C.
- Fully welded housing.
- High efficiency simple inlet backward impeller with self-cleaning system made of Fe360 sheet statically and dynamically balanced. Impellers are painted with polyester y primer that resists temperatures up to 300°C.
- Standard asynchronous squirrel-cage motor with IP-55 protection and class F insulation. Manufactured with standard voltages: 230/400V 50Hz in three phase motors up to 4kW and 400/690V 50Hz for higher powers.
- Standard orientation LG270.
- It allows adjusting the orientation locally

#### APPLICATIONS:

Designed for inline installation, they are suitable for:

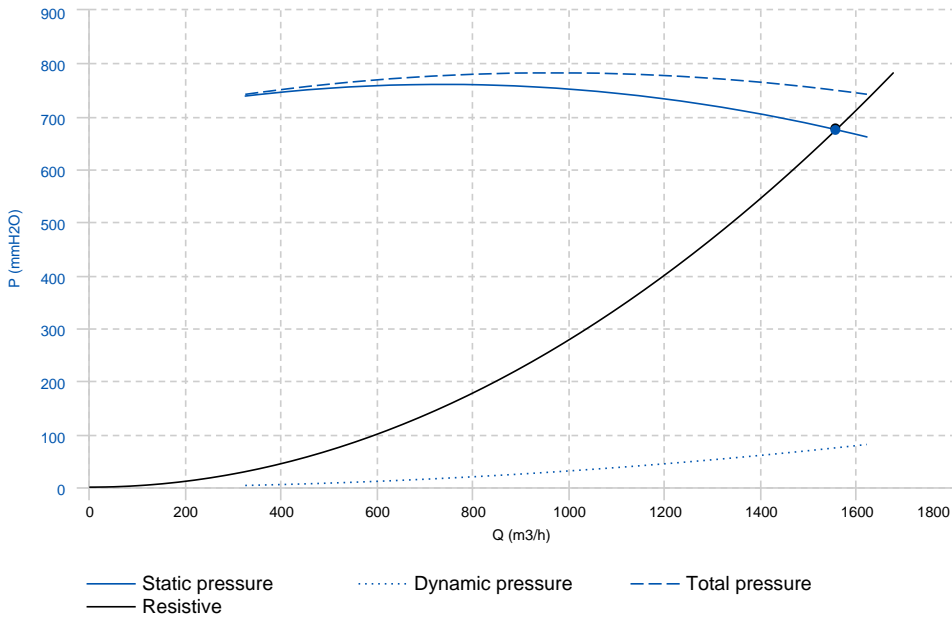
- Industrial applications, extraction or injection of air.
- Cooling of machines and parts.
- Clean air transport.
- Exhaust after filters, separators and cyclones.
- Pneumatic transport.
- Maximum working temperature: carried air: 130°C, ambient: 60°C.

#### UNDER REQUEST

- Fans for 60Hz and special voltages.
- 2 speed motor.
- C4 or C5 coating painting
- Hot dip galvanized
- Special steel (Cor-Ten A, Hardox...)
- Inox 304 (normal or electropolished finish)
- Inox 316 (normal or electropolished finish)
- Cooling wheel
- Anticaloric paint
- Reinforced housing
- Fully welded housing (waterproof)
- Insulated housing
- Split casing (for big sizes)
- Inspection door to facilitate maintenance and cleaning
- Drain plug.
- Airtight axle
- Frontal foot
- Double suction flange
- Available in the following versions:
  - Non-sparking air passage and standard motor.
  - ATEX II2GD Ex\_na
  - ATEX II2G Ex\_e
  - ATEX II3GD Ex\_d
- Other brands of motors.
- Orientation: RD0, RD45, RD90, RD135, RD180, RD225, RD270, RD315, LG0, LG45, LG90, LG135, LG180. LG225, LG315.

## PERFORMANCE CURVE

20°C 0m 1.2 Kg/m<sup>3</sup>



Design point	
Flow (m3/h)	1557.23
Pressure (mmH2O)	675.94
Service point	
T.max (°C)	130
Q (m3/h)	1555.89
Ps (mmH2O)	674.78
Pd (mmH2O)	74.3
Pt (mmH2O)	749.08
Speed (m/s)	34.85

## TECHNICAL DATA

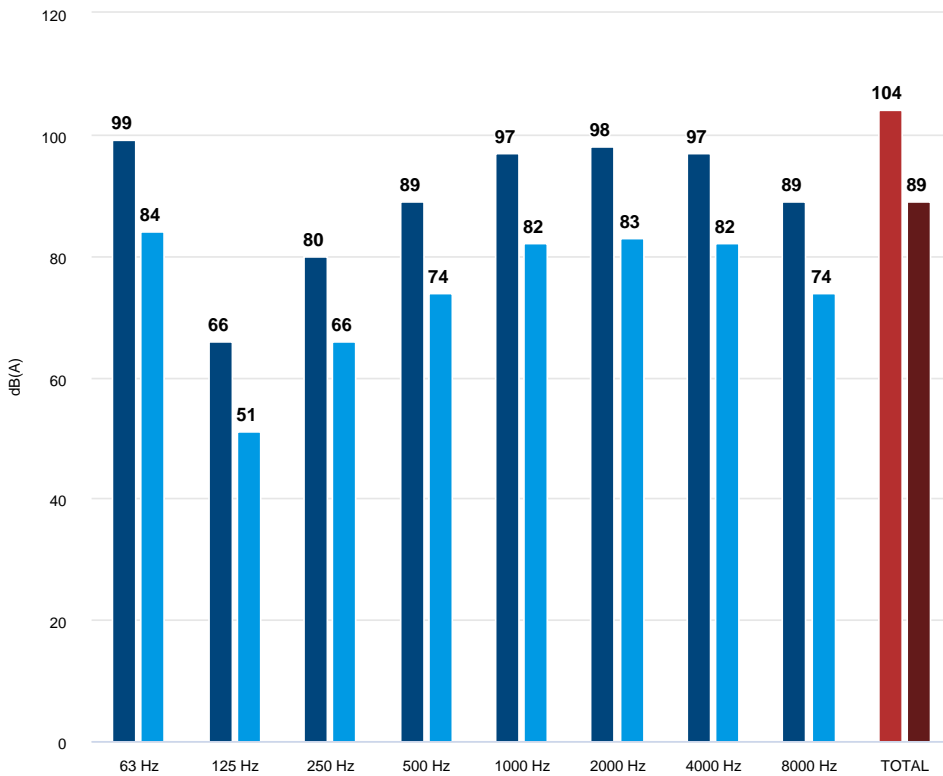
### Fan

RPM	2910	Approx. weight	143 kg	Max. Flow	1620 m3/h
-----	------	----------------	--------	-----------	-----------

### Motor

Power	5,5 kW	RPM	2910	I max. (400V)	10,6 A	I max. (690V)	6,14 A
Size	132S	Approx. weight	68 kg	Efficiency (%)	88 %	FP	0.85

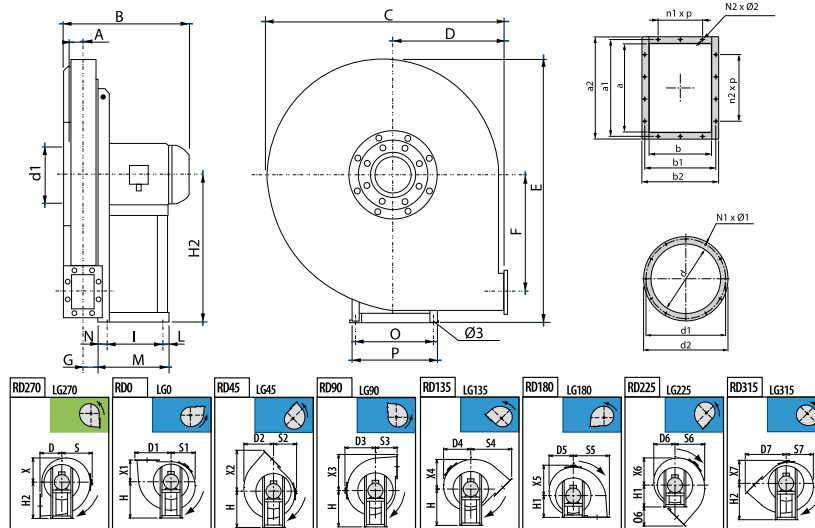
## ACOUSTIC DATA



Sound power	
63 Hz	99
125 Hz	66
250 Hz	80
500 Hz	89
1000 Hz	97
2000 Hz	98
4000 Hz	97
8000 Hz	89
TOTAL	104

Sound pressure 1.5m (in)	
63 Hz	84
125 Hz	51
250 Hz	66
500 Hz	74
1000 Hz	82
2000 Hz	83
4000 Hz	82
8000 Hz	74
TOTAL	89

## DIMENSIONS



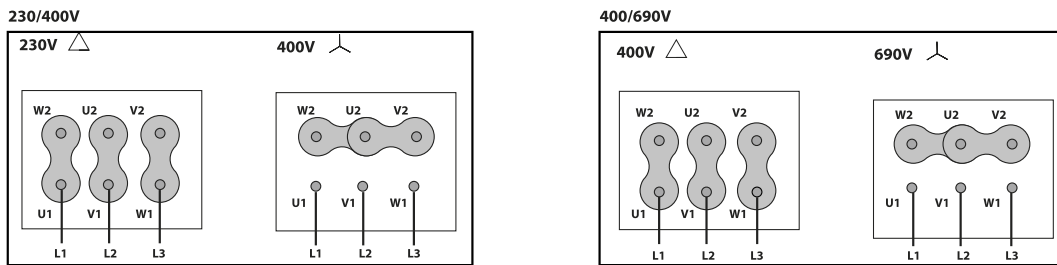
### Dimensions (mm)

A	58	B	503	C	940	D	425	D1	539
D2	493	D3	515	D4	472	D5	441	D6	438
D7	681	E	1001	F	443	G	53	H	560
H1	560	H2	560	I	237	L	59	M	336
N	40	N1 x Ø1	8X8	N2 x Ø2	6x10	O	337	O6	256

**Dimensions (mm)**

P	372	S	515	S1	441	S2	438	S3	425
S4	681	S5	539	S6	493	S7	472	X	441
X1	425	X2	681	X3	539	X4	493	X5	515
X6	472	X7	438	a	131	a1	165	a2	191
b	95	b1	129	b2	155	d	185	d1	219
d2	250	n1 x p	-	n2 x p	1x100	Ø3	12		

**WIRING DIAGRAM**



**ACCESSORIES**



**SAFETY SWITCH**  
**INT 25 3P A**  
**REF: INT253PA**



**ANTI-VIBRATING FLANGE 400<sup>Ø</sup>/2H**  
**BA-400 20**  
**REF: 960002066**



**ANTI-VIBRATION JOINT**  
**JE 45**  
**REF: 300719201**



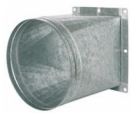
**CONNECTION FLANGE**  
**AC 200**  
**REF: 960003206**



**INLET PROTECTION GUARD FOR CENTRIFUGAL FANS**  
**RA 185x8**  
**REF: 510001800**



**OUTLET PROTECTION GUARD FOR FANS**  
**RI 131x95**  
**REF: 510101300**



**CIRCULAR OUTLET CONNECTION FLANGE**  
EI 131x95-200  
REF: 510201300



**CIRCULAR-CIRCULAR ANTI-VIBRATION FLANGE**  
BAD 6  
REF: 960003456



**FRONTAL FEET SUPORT**  
FS 630



**FREQUENCY SPEED CONTROLLER**  
SFC 400 III 12A \*  
REF: SFC400III12

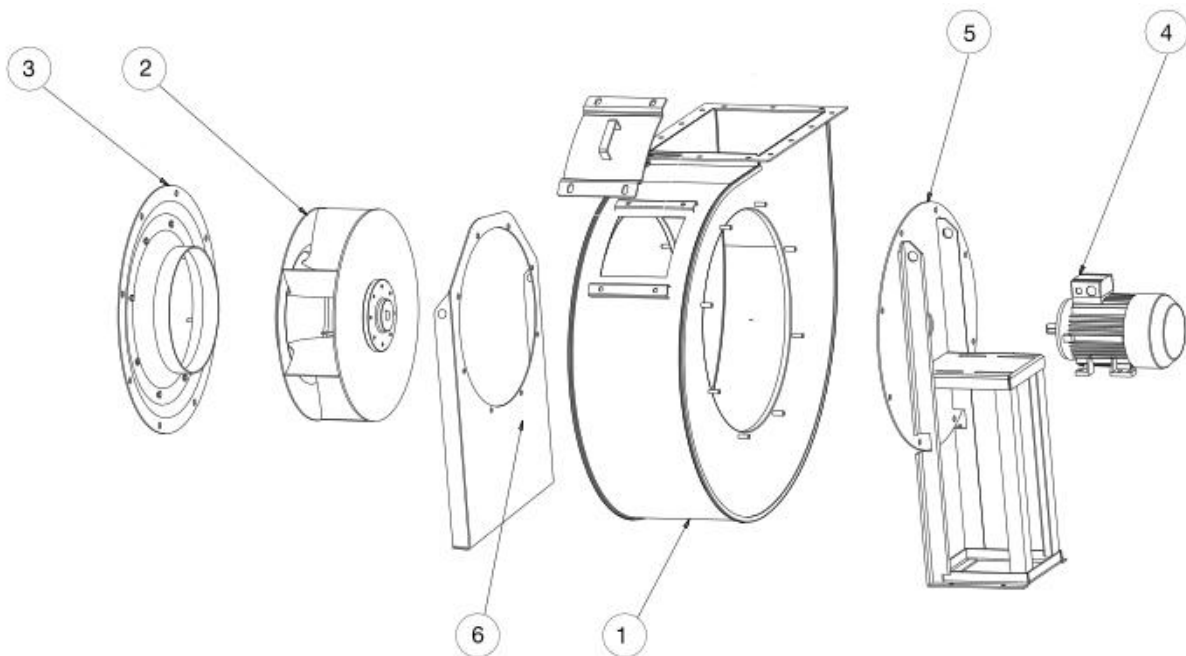


**ANTI-VIBRATION RUBBER BLOCK**  
AVR (GENERIC)



**ANTI-VIBRATION SPRING BLOCK**  
AVS (GENERIC)

## SPARE PARTS



	Code	Model	RPM	Degrees
2	T02506334	1 x TURBINE AAVC/N 630 T2 5,5kW LG	-	-
3	505206300SP04	1 x INLET CONE AAVC-AAZVC 630	-	-
4	721001072	1 x MOTOR 5,5kW T2 B3 400/690V IEC132	-	-