

AAVA 560/P T2 1,5kW

GENERAL DATA



HIGH PRESSURE WITH BACKWARD IMPELLER

MANUFACTURING FEATURES:

- Fan made of Fe360 sheet. The fan paint finish is based on a Qualicoat polyester powder coating stoved at 200°C, with an average film thickness of 70 microns. Average heat resistance of coating is 180°C with peaks of 200°C.
- Fully welded housing.
- High efficiency simple inlet backward impeller with self-cleaning system made of Fe360 sheet statically and dynamically balanced. Impellers are painted with polyester primer that resists temperatures up to 300°C.
- Standard asynchronous squirrel-cage motor with IP-55 protection and class F insulation. Manufactured with standard voltages: 230/400V 50Hz in three phase motors up to 4kW and 400/690V 50Hz for higher powers.
- Standard orientation LG270.
- It allows adjusting the orientation locally from models 220 to 630. Models sizes from 710 to 1000 size the orientation is fixed.

APPLICATIONS:

Designed for inline installation, they are suitable for:

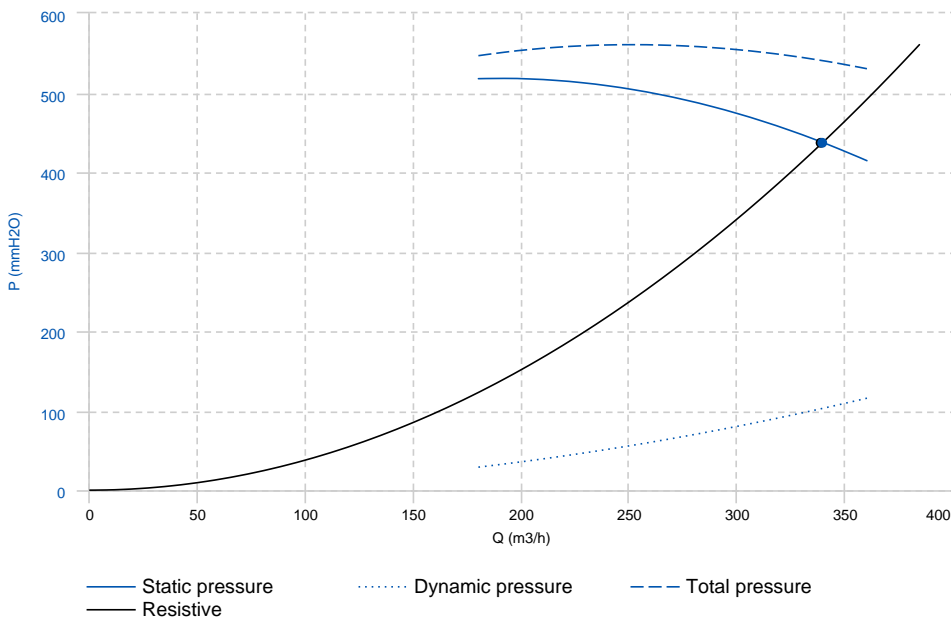
- Industrial applications, extraction or injection of air.
- Cooling of machines and parts.
- Clean air transport.
- Exhaust after filters, separators and cyclones.
- Pneumatic transport.
- Maximum working temperature: carried air: 130°C, ambient: 60°C.

UNDER REQUEST

- Fans for 60Hz and special voltages.
- 2 speed motor.
- C4 or C5 coating painting
- Hot dip galvanized
- Special steel (Cor-Ten A, Hardox...)
- Inox 304 (normal or electropolished finish)
- Inox 316 (normal or electropolished finish)
- Cooling wheel
- Anticaloric paint
- Reinforced housing
- Fully welded housing (waterproof)
- Insulated housing
- Split casing (for big sizes)
- Inspection door to facilitate maintenance and cleaning
- Drain plug.
- Airtight axle
- Frontal foot
- Double suction flange
- Available in the following versions:
 - Non-sparking air passage and standard motor.
 - ATEX II2GD Ex_na
 - ATEX II2G Ex_e
 - ATEX II3GD Ex_d
- Other brands of motors.
- Orientation: RD0, RD45, RD90, RD135, RD180, RD225, RD270, RD315, LG0, LG45, LG90, LG135, LG180. LG225, LG315.

PERFORMANCE CURVE

20°C 0m 1.2 Kg/m³



Design point	
Flow (m3/h)	339.25
Pressure (mmH2O)	436.82
Service point	
T.max (°C)	130
Q (m3/h)	339.51
Ps (mmH2O)	437.5
Pd (mmH2O)	102.92
Pt (mmH2O)	540.42
Speed (m/s)	41.02

TECHNICAL DATA

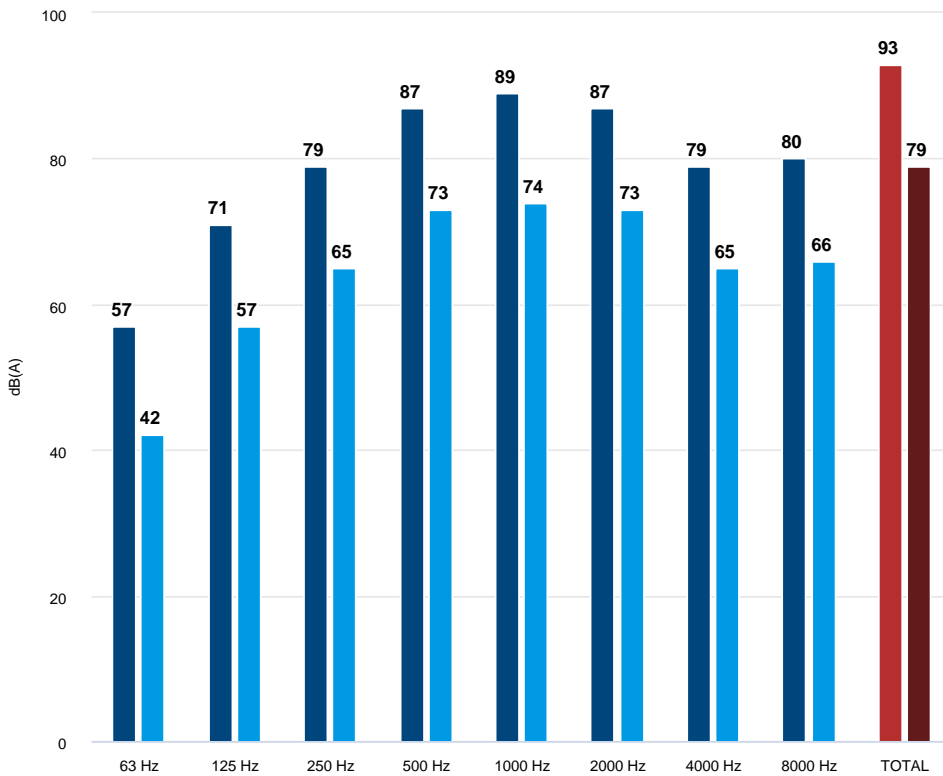
Fan

RPM	2865	Approx. weight	89 kg	Max. Flow	360 m3/h
-----	------	----------------	-------	-----------	----------

Motor

Power	1,5 kW	RPM	2865	I max. (230V)	5.83 A	I max. (400V)	3,14 A
Size	90L	Approx. weight	23.5 kg	Efficiency (%)	82 %	FP	0.83

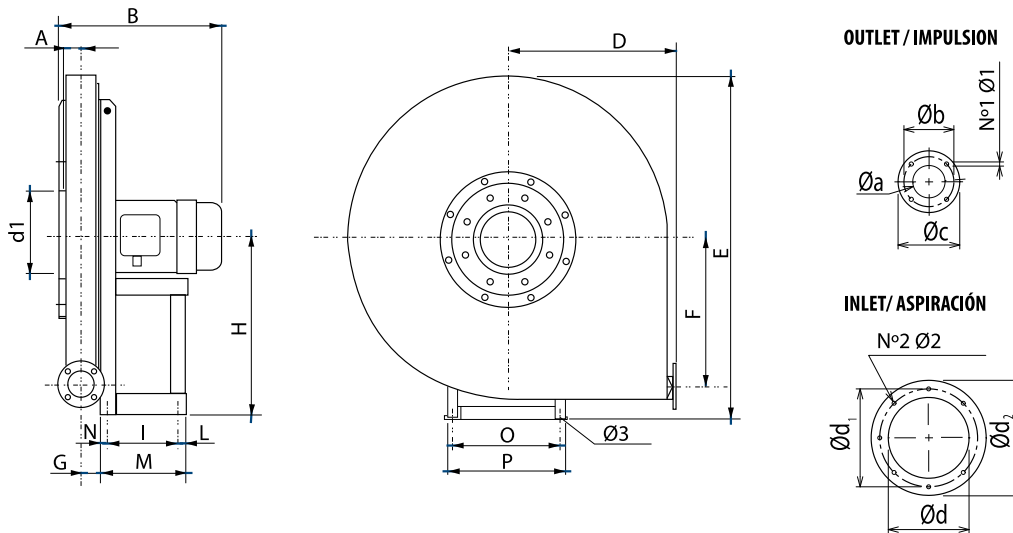
ACOUSTIC DATA



Sound power	
63 Hz	57
125 Hz	71
250 Hz	79
500 Hz	87
1000 Hz	89
2000 Hz	87
4000 Hz	79
8000 Hz	80
TOTAL	93

Sound pressure 1.5m (in)	
63 Hz	42
125 Hz	57
250 Hz	65
500 Hz	73
1000 Hz	74
2000 Hz	73
4000 Hz	65
8000 Hz	66
TOTAL	79

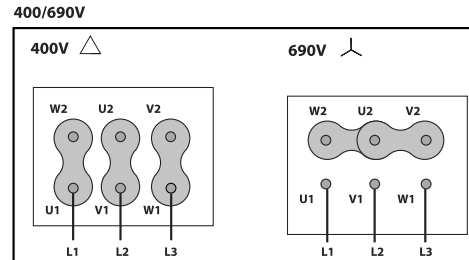
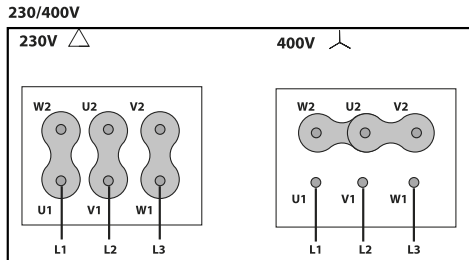
DIMENSIONS



Dimensions (mm)

A	34	B	380	D	405	E	830	F	355
G	32	H	425	I	133	L	58	M	246
N	55	N1xØ1	4x8,5	N2xØ2	8x8	O	246	P	260
Ø3	10	Øa	54	Øb	84	Øc	104	Ød	145
Ød1	182	Ød2	215						

WIRING DIAGRAM



ACCESSORIES



SAFETY SWITCH
INT 25 3P A
REF: INT253PA



ANTI-VIBRATING FLANGE 400^ø/2H
BA-400 15/16
REF: 960002067



ANTI-VIBRATION JOINT
JE 45
REF: 300719201



CONNECTION FLANGE
AC 150
REF: 960003204



INLET PROTECTION GUARD FOR CENTRIFUGAL FANS
RA 145x8
REF: 510001400



OUTLET PROTECTION GUARD FOR FANS
RI 54x4
REF: 510100500



CIRCULAR OUTLET CONNECTION FLANGE
EI 54x4-54
REF: 510200500



CIRCULAR-CIRCULAR ANTI-VIBRATION FLANGE
BAD 4
REF: 960003454



FRONTAL FEET SUPORT
FS 560



FREQUENCY SPEED CONTROLLER
SFC 230 I 7A *
REF: SFC230I007



FREQUENCY SPEED CONTROLLER
SFC 400 III 3,6A *
REF: SFC400III4

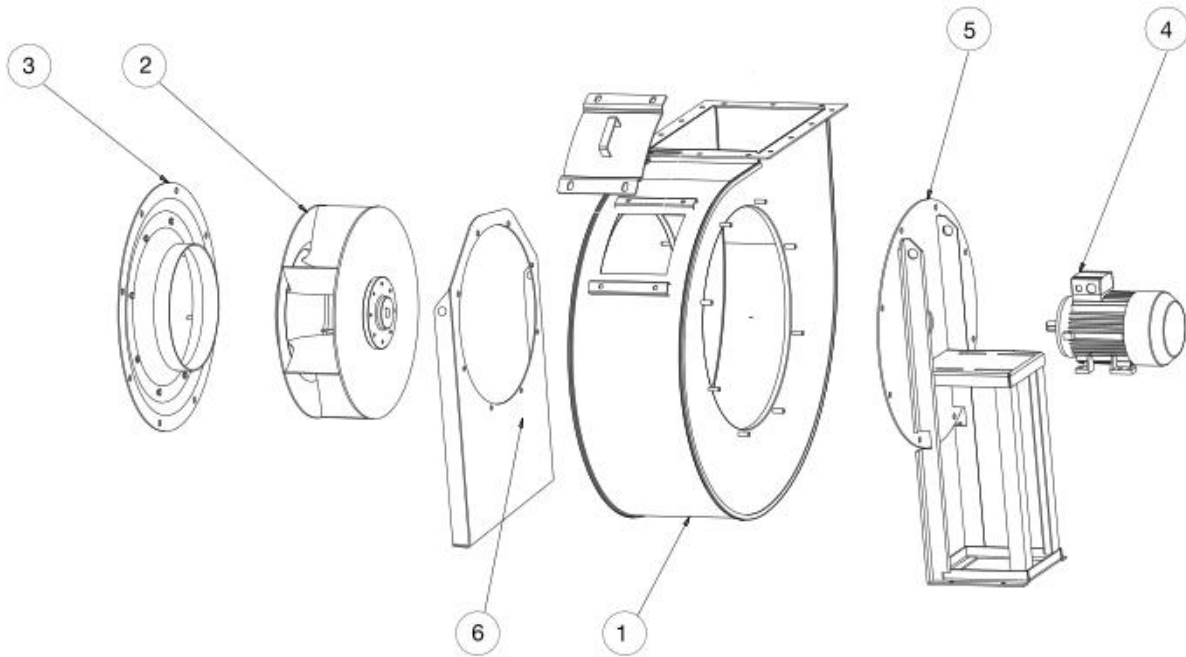


ANTI-VIBRATION RUBBER BLOCK
AVR (GENERIC)



ANTI-VIBRATION SPRING BLOCK
AVS (GENERIC)

SPARE PARTS



	Code	Model	RPM	Degrees
2	T02405619	1 x TURBINE AAVA 560/P LG	-	-
3	505605600SP04	1 x INLET CONE AAVA-AAZVA 560/P	-	-
4	721001047	1 x MOTOR 1,5KW T2 B5 230/400V IEC90	-	-