

# HB 50 M4 (A5:6) 0,75kW 45°

## GENERAL DATA



WALL FAN , VARIABLE PITCH BLADES

**MANUFACTURING FEATURES:**

- Plate axial fan with circular reinforced frame.
- Motor-impeller modular assembly for complete versatility.
- Corrosion-resistant powder coat polyester resin.
- Standard asynchronous squirrel-cage motor with IP-55 protection and Class F insulation. Manufactured with standard voltages: 230V 50Hz in single phase motors and 230/400V 50Hz in three phase, motors up to 4kW and 400/690V 50Hz for higher powers.
- HB :Polypropylene impeller (A2 profile) or polyamide impeller reinforced with fibreglass (other profiles) with variable pitch angle.
- HBA : Cast aluminum impeller with variable pitch angle.

**APPLICATIONS:**

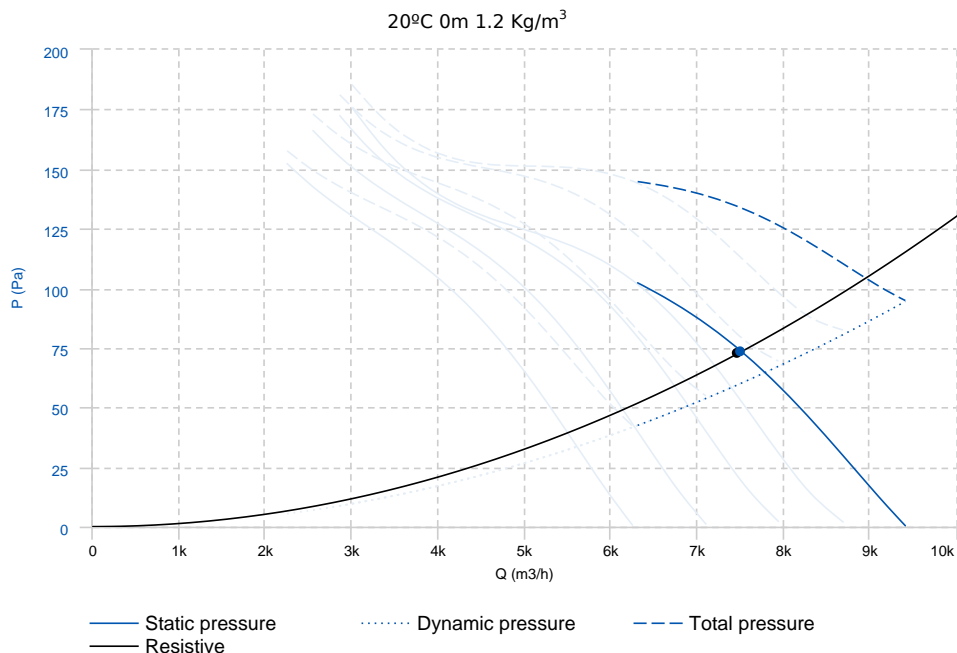
Designed for wall or duct installation, they are suitable for:

- Air renewal in buildings and industries.
- Maximum working temperature: 1ph 50°C, 3ph 60°C.

**UNDER REQUEST:**

- Supply impeller (air direction from impeller to motor)
- 100% reversible impeller.
- 60Hz fans and special voltages.
- Hot-dipped galvanized or stainless steel housing.

## PERFORMANCE CURVE



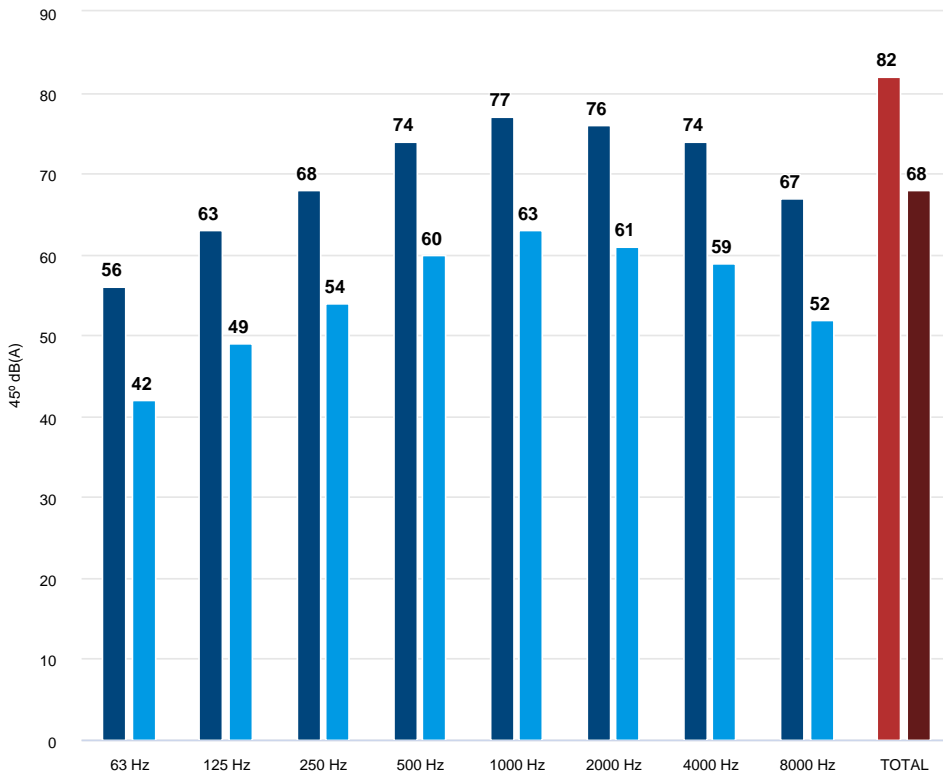
Design point	
Flow (m3/h)	7471.45
Pressure (Pa)	72.61
Service point	
Angle	45
T.max (°C)	60
Q (m3/h)	7512.41
Ps (Pa)	73.41
Pd (Pa)	60.2
Pt (Pa)	133.6
Speed (m/s)	10.02
Security coefficient	1.3
Efficiency (%)	48.14
Pwmech (kW)	0.58
Precom (kW)	0,75

## TECHNICAL DATA

Fan				
RPM	Approx. weight	28.8 kg	Max. Flow	8130 m3/h

Motor							
Power	0,75 kW	RPM	1400	Capacitor	25µF 450V	I max. (230V)	5,21 A
Size	80	Approx. weight	10.4 kg	Efficiency (%)	68 %	FP	0.95

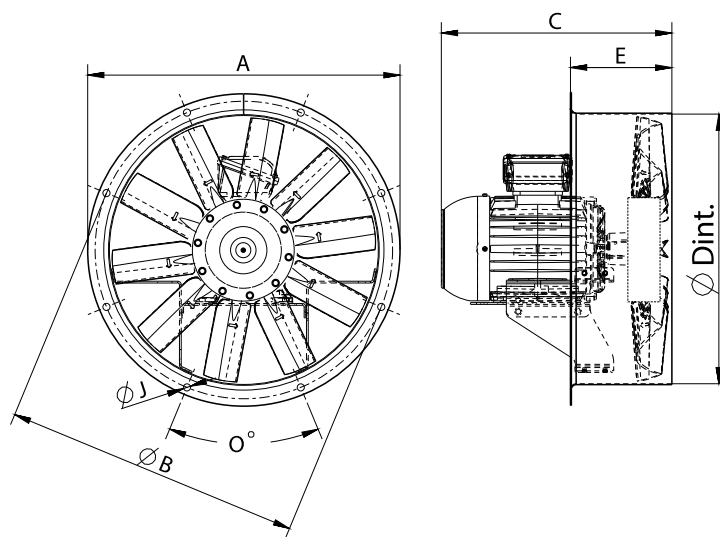
## ACOUSTIC DATA



Sound power	
63 Hz	56
125 Hz	63
250 Hz	68
500 Hz	74
1000 Hz	77
2000 Hz	76
4000 Hz	74
8000 Hz	67
TOTAL	82

Sound pressure 1.5m (in)	
63 Hz	42
125 Hz	49
250 Hz	54
500 Hz	60
1000 Hz	63
2000 Hz	61
4000 Hz	59
8000 Hz	52
TOTAL	68

## DIMENSIONS

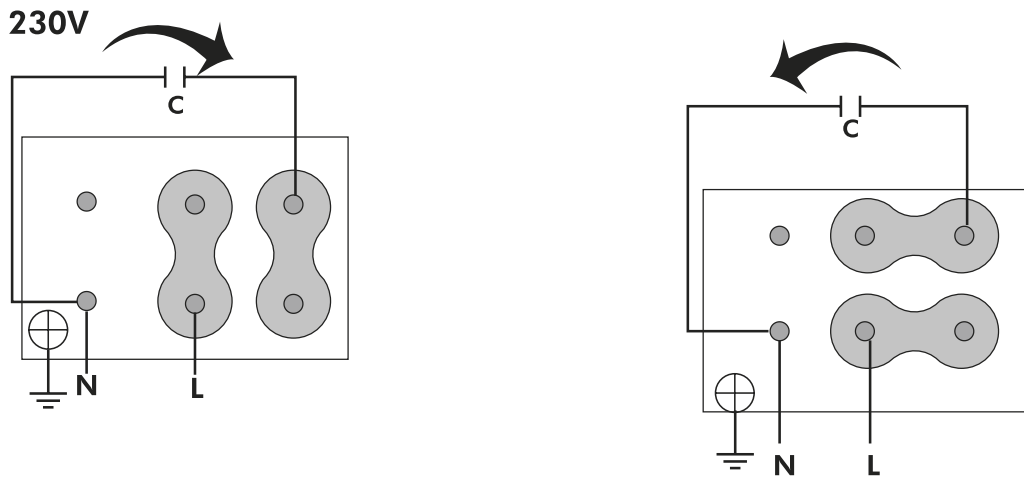


Dimensions (mm)									
C (Mot.T.71)	338	C (Mot.T.80)	350	C (Mot.T.90L)	387	C (Mot.T.90S)	362	C (Mot.T.100L)	421

Dimensions (mm)

E	165	O	12x30°	ØA	600	ØB	560	ØD	504
Øj	12								

WIRING DIAGRAM



ACCESSORIES



**CONNECTION FLANGE  
AC 500**  
REF: 960003214



**PLASTIC GRAVITY SHUTTER  
PCP 50**  
REF: 963240106



**ANTI-VIBRATING FLANGE 400°/2H  
BA-400 50**  
REF: 960002064



**SQUARE MOUNTING FRAME FOR HB FANS  
MC HB 50**  
REF: 960003155



**ANTI-VIBRATION JOINT  
JE 45**  
REF: 300719201



**Outlet protection guard for axial fans  
RPO 500**  
REF: 960001203



**ALUMINIUM GRAVITY SHUTTER  
PC2 50**  
REF: PC25050



**CIRCULAR-CIRCULAR ANTI-VIBRATION FLANGE  
BAD 13**  
REF: 960003463



**SAFETY SWITCH  
INT (GENERIC)**



**INLET PROTECTION GUARD FOR AXIAL FANS  
RP1 (GENERIC)**