

**Specification of: DD 18/18 142974 3F 8P 1V +SCT == 6N09N4**

**High performance centrifugal fan DD**

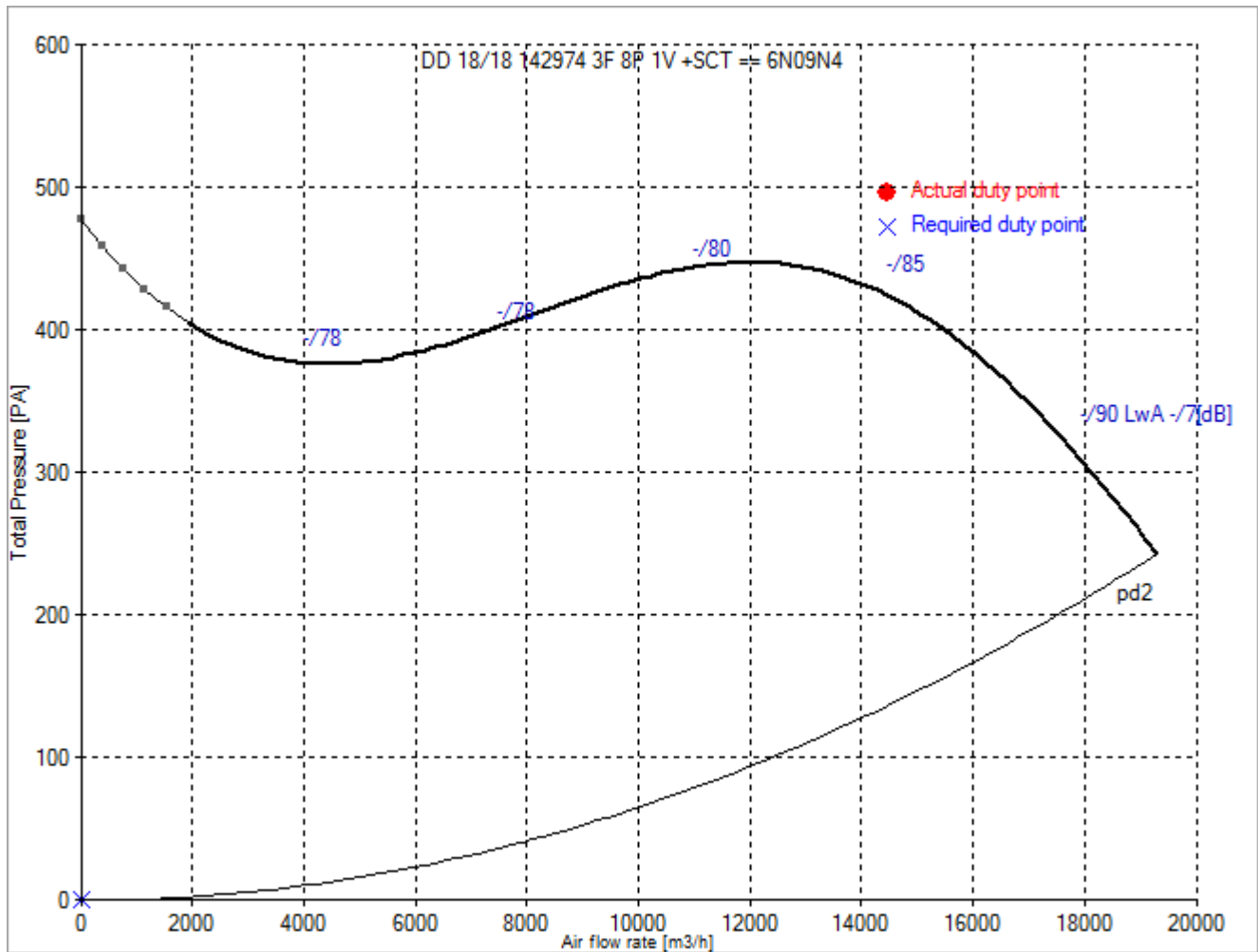
Double width, double inlet (DWDI), direct drive, forward curved blades fan. Lap-jointed scroll made of galvanized steel (EN 10142), assembled through a high-technology roller-locked seaming. Straight cut off plate at fan discharge. Impeller with forward curved blades of galvanized steel plate, directly mounted on a conventional "Internal Rotor" motor for no transmission losses. Closed (IP 55) frame, three-phase, single speed motor, usable at 400 V, 50 Hz or 60 Hz. Maintenance free, integral vibration isolators, self aligning ball bearings. Dynamically balanced according to DIN ISO 21940-11. With mounted terminal box. Air performance ratings according to AMCA 210-99 (Fig. 12), UNI 10531 (Fig 30c and par. 29.2 f) and ISO 5801 (Fig. 69 c and par. 30.2 f).

**Technical data of the fan: DD 18/18 142974 3F 8P 1V +SCT == 6N09N4**

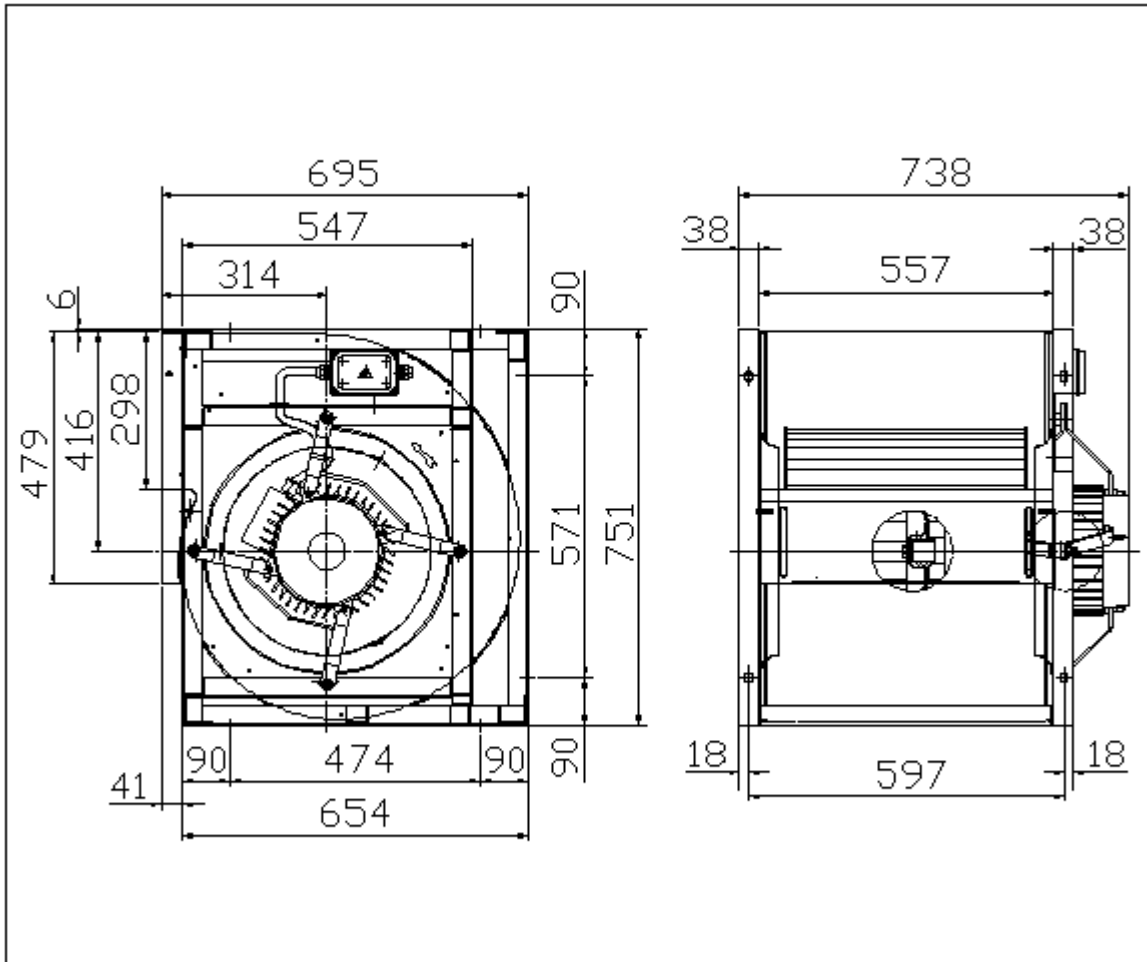
[fulfills the ErP requirements 2015](#)

Description	Value Dimension
<b>Specified duty point</b>	
<b>Actual duty point</b>	
Installation acc. DIN 24163 Part 1	B
Reference density (Rho1)	1.20 kg/m <sup>3</sup>
Medium temperature (t)	20 C
Fan weight	98 kg
<b>Rated data</b>	
Phases-Voltage-Frequency	3~230/400-50 V-Hz
Number of poles:	6
Motor rating (P <sub>N</sub> )	3 kW
Rated motor speed (n <sub>N</sub> )	700 min <sup>-1</sup>
Rated motor current (I <sub>N</sub> )	21,4/12,4 A
<b>operational limits</b>	
Max. absorbed power (P <sub>1max</sub> )	6.929 kW
Temperature range of conveying medium (t <sub>min</sub> ... t <sub>max</sub> )	-20...40 C
<b>ErP-Data at best efficiency and density - kg/m<sup>3</sup></b>	
measurement- / efficiency category	B / total
design status of VSD	without VSD
overall efficiency (ETA <sub>opt</sub> )	46.5 %
achieved efficiency grade (N <sub>ist</sub> )	50.6
required efficiency grade in 2013 / 2015 (N)	42 / 49
Air flow rate (V <sub>opt</sub> )	8677 m <sup>3</sup> /h
pressure rise (dp <sub>opt</sub> )	441 Pa
Fan speed (n <sub>vopt</sub> )	731 min <sup>-1</sup>
motor power input (P <sub>1opt</sub> )	2.28 kW
specific ratio (d <sub>dpopt</sub> )	1.004

## Fan curve to DD 18/18 142974 3F 8P 1V +SCT == 6N09N4



Dimensions to DD 18/18 142974 3F 8P 1V +SCT == 6N09N4



Rotation: RD  
Handing: 90