



Specification of: RDA 31-3535-EC

Centrifugal Roof Fan Nicotra Gebhardt genovent

with swirl free vertically directed discharge for gas medium up to app. +40 °C. Stylish sealed casing manufactured from aluminium, Base frame of galvanised sheet steel for fitting to upstand, projecting well beyond the upstand in order to increase weatherproofing. Flange connection at intake acc. to DIN 24155-2 Discharge outlets are protected from the weather on fan shutdown by automatic backdraught shutters. Casing parts, and the impeller plus motor, are easily removed for inspection and maintenance. High performance centrifugal impeller with backward curved blades, mounted on the rotor of a variable speed external

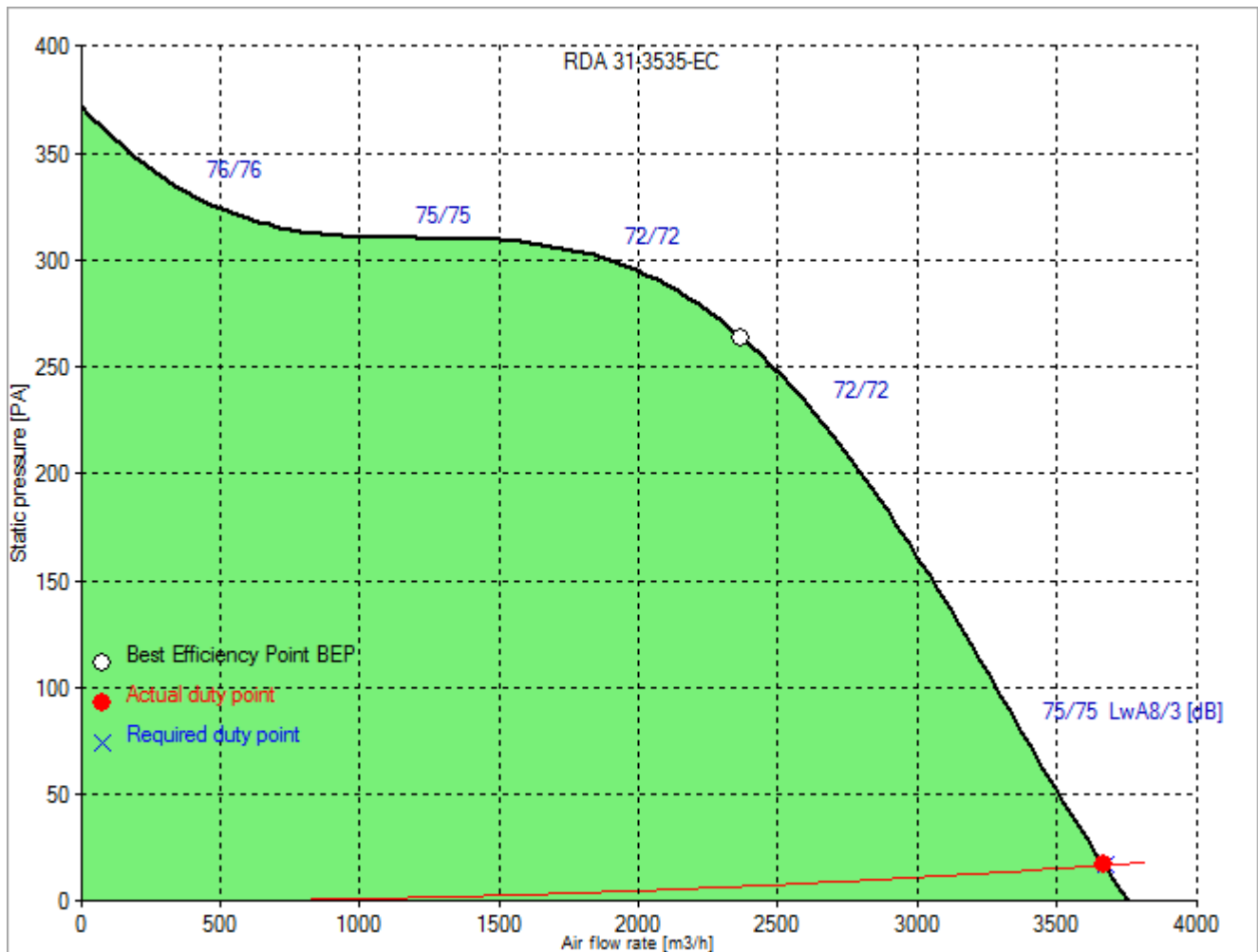
EC-motor, protected to IP 44, totally maintenance free. Installed with isolator fitted ready to connect. Performance data in according DIN 24166 tolerance class 2 (BS 848 Class "B"). Meets the efficiency requirements of Regulation EU1253/2014 for ventilation units.

Technical data of the fan: RDA 31-3535-EC

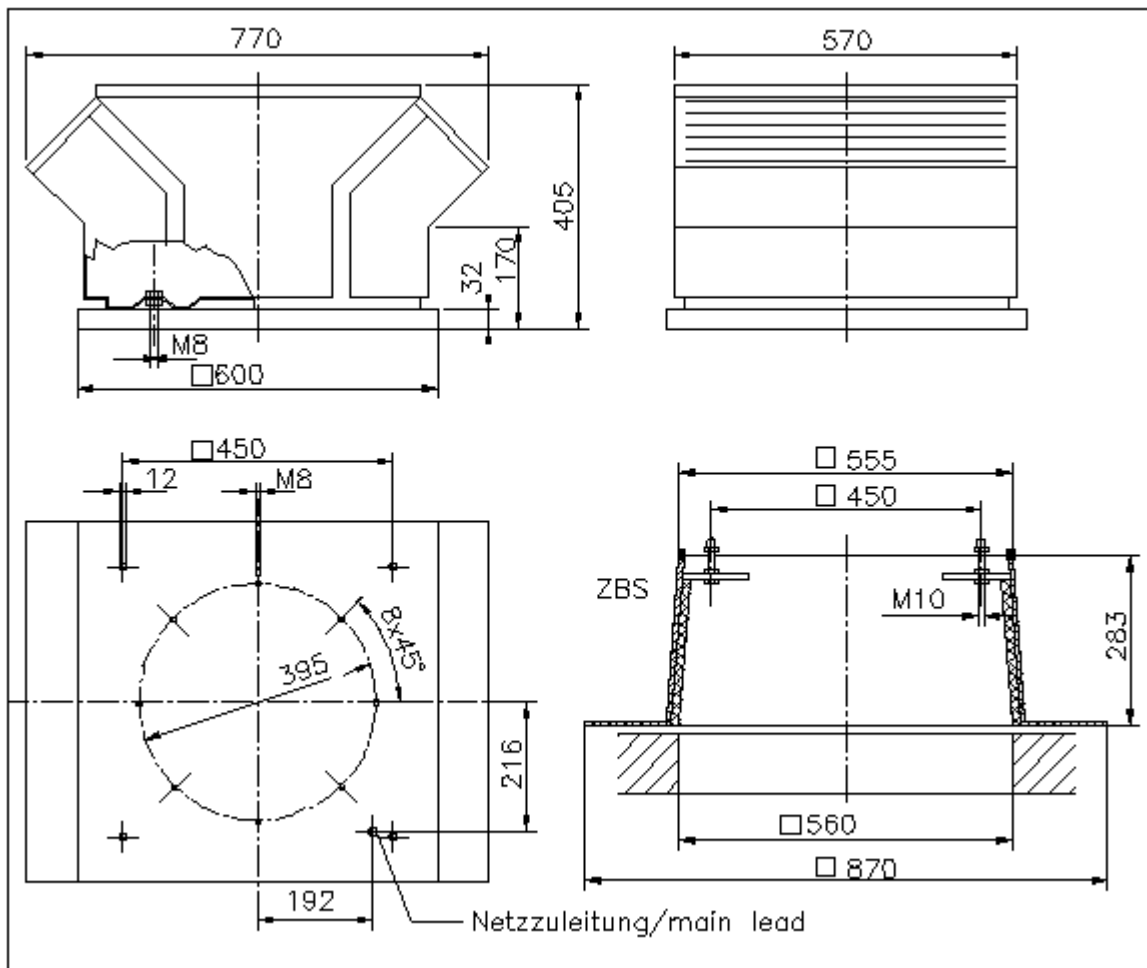
fulfills the ErP requirements 2018 at BEP

Description	Value Dimension
Specified duty point	
Air flow rate (V)	3675 m ³ /h
Static pressure rise (dp _{fa})	17 Pa
Actual duty point	
Installation acc. DIN 24163 Part 1	A
Reference density (Rho1)	1.20 kg/m ³
Medium temperature (t)	20 C
Air flow rate (V)	3667 m ³ /h
Static pressure increase (dp _{fa})	17 Pa
fan speed (n _v)	1460 min ⁻¹
Absorbed power (P ₁)	0.266 kW
Current (I)	1.2 A
Static system efficiency (ETA _{faS})	7 %
Specific Fan Power (SFP-factor)	261 W/(m ³ /s)
Nozzle calibration factor (K ₁₀)	105 m ² s/h
Differential pressure on nozzle (dp _D)	732 Pa
Fan weight	28 kg
A-weighted sound power level discharge/intake LwA _{B/3}	77/75 dB
Unweighted octave sound power level	Octave mid frequencies ¹⁾ 63/125/250/500/1k/2k/4k/8k Hz 69/76/75/73/72/71/64/58 dB discharge LwOkt ₃ 79/85/77/73/66/62/56/52 dB intake LwOkt ₃
¹⁾ The octave sound power levels can be higher at octave bands at or close to blade passing frequency.	
This duty point can only be reached by using an inverter/controller for motor speed control!	
Rated data	
Phases-Voltage-Frequency	1~230-50/60 V-Hz
Rated motor speed (n _N)	1460 min ⁻¹
Rated motor current (I _N)	1,6 A
operational limits	
Max. absorbed power (P _{1max})	0.35 kW
Max. fan speed (n _{vmax})	1460 min ⁻¹
Temperature range of conveying medium (t _{min} ... t _{max})	-20...40 C

Fan curve to RDA 31-3535-EC



Dimensions to RDA 31-3535-EC



Rotation:
Handing:

RD
90