

MB 12/5 M4 0,08kW

GENERAL DATA



MEDIUM PRESSURE CENTRIFUGAL FAN WITH FORWARD IMPELLER

MANUFACTURING FEATURES:

- Rolling steel sheet housing.
 - Completely joined or welded housing.
 - Galvanised steel sheet simple inlet forward curved impeller.
 - Polyester powder finishing coat.
 - Standard asynchronous squirrel-cage motor with IP-55 protection and Class F insulation.
- Manufactured with standard voltages: 230V 50Hz in single phase motors and 230/400V 50Hz in three phase motors.
- Standard position: LG 270.

APPLICATIONS:

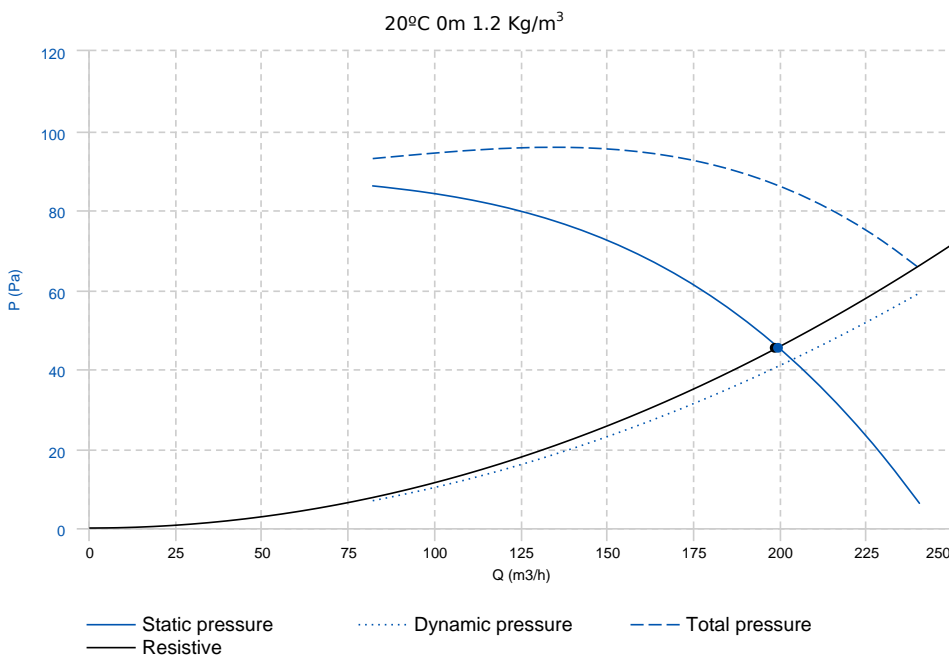
Designed for inline installation, they are suitable for:

- Industrial applications, extraction or injection of air.
- Cooling of machines and parts.
- Clean air transport.
- Maximum working temperature: carried air: 130°C, environment single phase 50°C, three phase 60°C.

UNDER REQUEST:

- Special voltages.
- 2 speed motors.
- Fan for air working temperatures up to 250°C.
- Fans provided with cooling disk for high temperature.
- Option with support for models where it is not included, and without support for models where it is included.
- Position: LG 0, LG 45, LG 90, LG 135, LG 180, LG 225, LG 315, RD 0, RD 45, RD 90, RD 135, RD 180, RD 225, RD 270, RD 315.

PERFORMANCE CURVE



Design point	
Flow (m3/h)	198.66
Pressure (Pa)	45.19
Service point	
T.max (°C)	130
Q (m3/h)	199.29
Ps (Pa)	45.48
Pd (Pa)	40.71
Pt (Pa)	86.18
Speed (m/s)	8.24
Pabs (kW)	0.1

TECHNICAL DATA

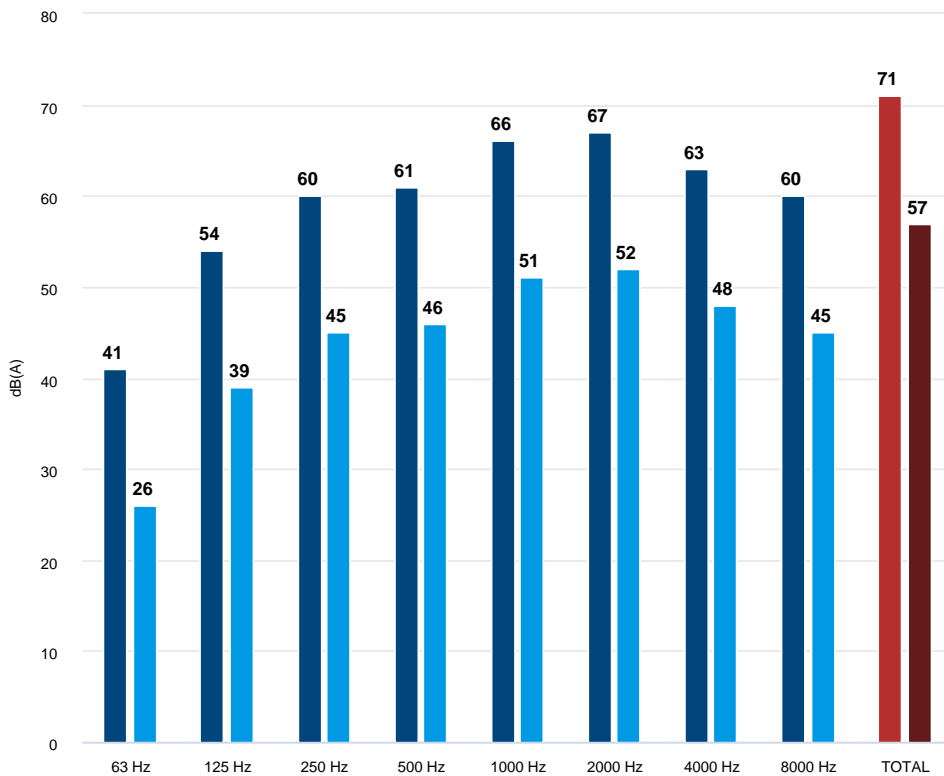
Fan

RPM	1370	Approx. weight	5 kg	Max. Flow	240 m3/h
-----	------	----------------	------	-----------	----------

Motor

Power	0,08 kW	RPM	1370	I max. (230V)	0,9 A
-------	---------	-----	------	---------------	-------

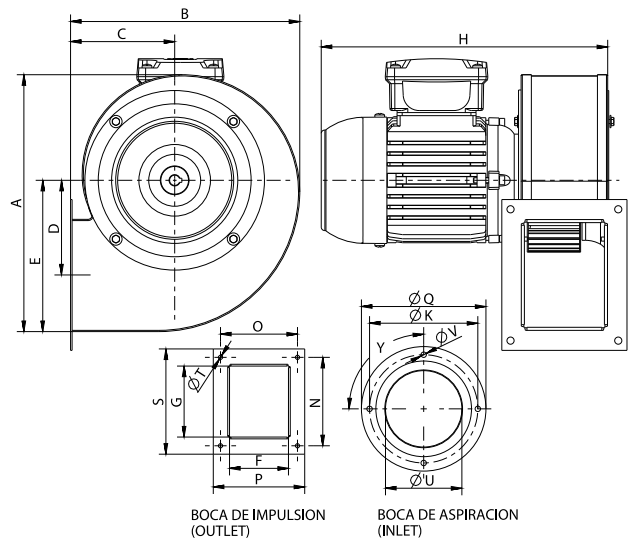
ACOUSTIC DATA



Sound power	
63 Hz	41
125 Hz	54
250 Hz	60
500 Hz	61
1000 Hz	66
2000 Hz	67
4000 Hz	63
8000 Hz	60
TOTAL	71

Sound pressure 1.5m (in)	
63 Hz	26
125 Hz	39
250 Hz	45
500 Hz	46
1000 Hz	51
2000 Hz	52
4000 Hz	48
8000 Hz	45
TOTAL	57

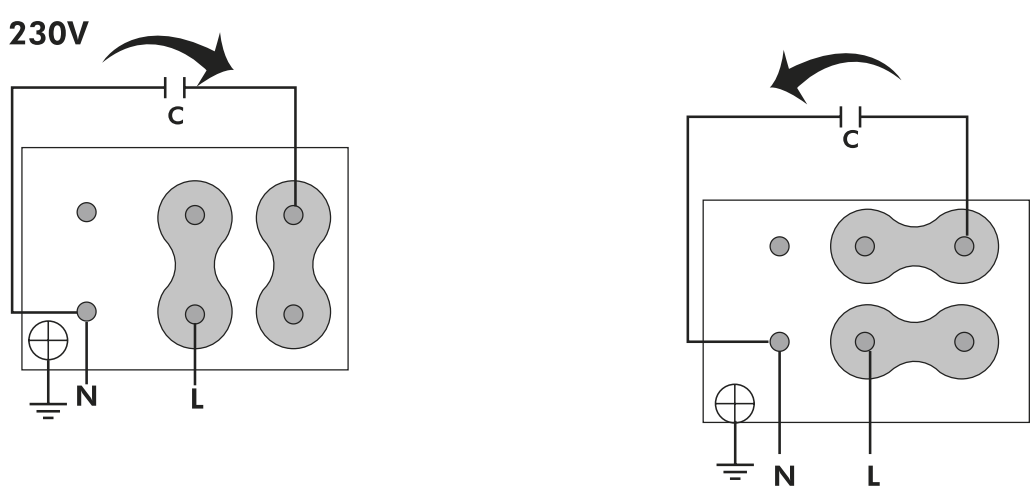
DIMENSIONS



Dimensions (mm)

A	205,5	B	188	C	87	D	71,5	E	117
F	72	G	85	H	251	K	135	N	105
O	93	P	106	Q	150	S	118	TØ	7
UØ	92,5	VØ	7	Y	4x90º				

WIRING DIAGRAM



ACCESSORIES



SAFETY SWITCH
INT 25 3P A
REF: INT253PA



INLET PROTECTION GUARD FOR CENTRIFUGAL FANS
RA 12/5
REF: 253061901



CIRCULAR OUTLET CONNECTION FLANGE
EI 12/5
REF: 962120111



ANTI-VIBRATING FLANGE 400°/2H
BA-400 10/12
REF: 960002068



ANTI-VIBRATION JOINT
JE 45
REF: 300719201



CONNECTION FLANGE
AC 100
REF: 960003202



OUTLET PROTECTION GUARD
RBS 12/5
REF: 960000352



CIRCULAR-CIRCULAR ANTI-VIBRATION FLANGE
BAD 2
REF: 960003452



ANTI-VIBRATION RUBBER BLOCK
AVR (GENERIC)



ANTI-VIBRATION SPRING BLOCK
AVS (GENERIC)

SPARE PARTS

	Code	Model	RPM	Degrees
1	253069382	1 x TURBINE GALV.120X52X9 LG	-	-
2	253061681	1 x INLET CONE MB12/5	-	-

	Code	Model	RPM	Degrees
3	720301100	1 x MOTOR 0,04kW M4 B14 230V IEC56	-	-
4	253069421	1 x CASING MB 12/5	-	-