

AA 70 T2 7,5kW

GENERAL DATA



HIGH PRESSURE WITH ALUMINIUM FORWARD IMPELLER

MANUFACTURING FEATURES:

- Rolling steel sheet housing.
- Fully welded housing.
- High efficiency simple inlet forward curved impeller manufactured in cast aluminium.
- Polyester powder finishing coat.
- Standard asynchronous squirrel-cage motor with IP-55 protection and class F insulation. Standard voltages 230/400V 50Hz motors up to 4kW and 400/690V 50Hz for higher powers.
- Standard orientation: LG270

APPLICATIONS:

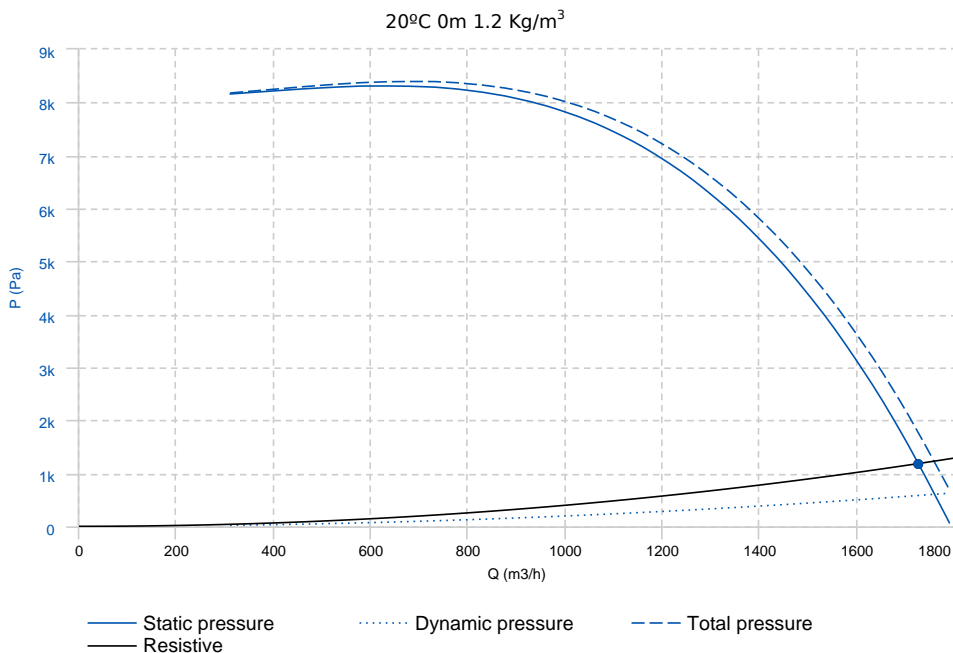
Designed for inline installation, they are suitable for:

- Industrial applications, extraction or injection of air.
- Cooling of machines and parts.
- Clean air transport.
- Exhaust after filters, separators and cyclones.
- Pneumatic transport.
- Maximum working temperature: carried air: 130°C, ambient 60°C.

UNDER REQUEST:

- 60Hz fans and special voltages.
- 2 speed motors.
- Orienta: LG0, LG45, LG90, LG135, LG180. LG225, LG315

PERFORMANCE CURVE



Design point	
Flow (m ³ /h)	1727.21
Pressure (Pa)	1186.19
Service point	
T.max (°C)	130
Q (m ³ /h)	1726.46
Ps (Pa)	1185.16
Pd (Pa)	582.16
Pt (Pa)	1767.32
Speed (m/s)	31.15
Pabs (kW)	8.18

TECHNICAL DATA

Fan

RPM	2900	Approx. weight	125 kg	Max. Flow	1790 m3/h
-----	------	----------------	--------	-----------	-----------

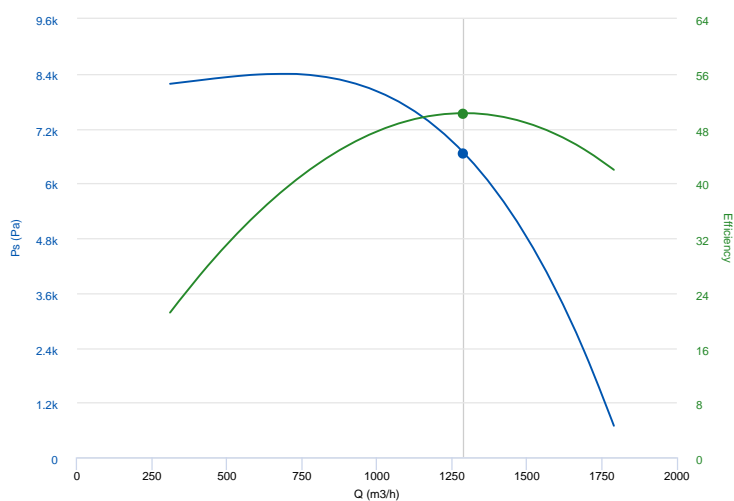
Motor

Power	7,5 kW	RPM	2910	I max. (400V)	14,1 A	I max. (690V)	8,17 A
Size	132S	Approx. weight	73 kg	Efficiency (%)	88.5 %	FP	0.87

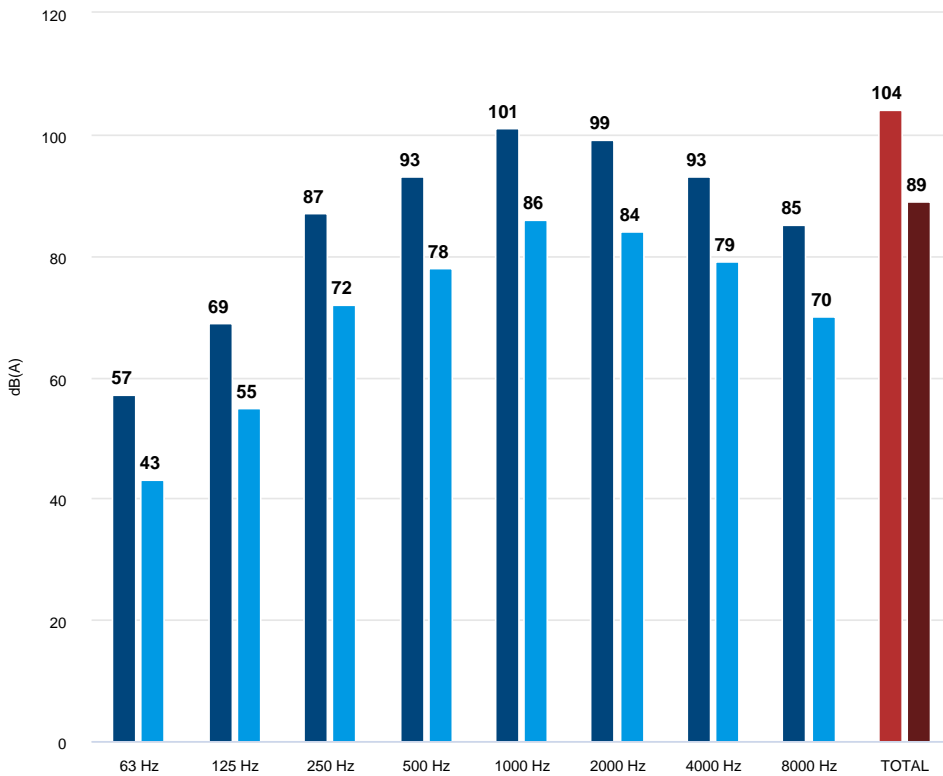
ERP DATA

Fan data sheet

Fan type	Centrifugal fan radial or forward blades	
Installation category	B: Inlet free, Ducted outlet	
Efficiency category	Total	
The fan has to be installed with VF	No	
Motor power (kW)	7.5	
	Fan values	ERP Requirements 2015
Max. efficiency (%)	50.23	48
Efficiency grade (N)	51.23	49
Pabs (kW)	7	
reports.flow (m3/h)	1290.35	
Total pressure (Pa)	6660.44	
Speed (m/s)	2900	
Specific ratio	1.00	



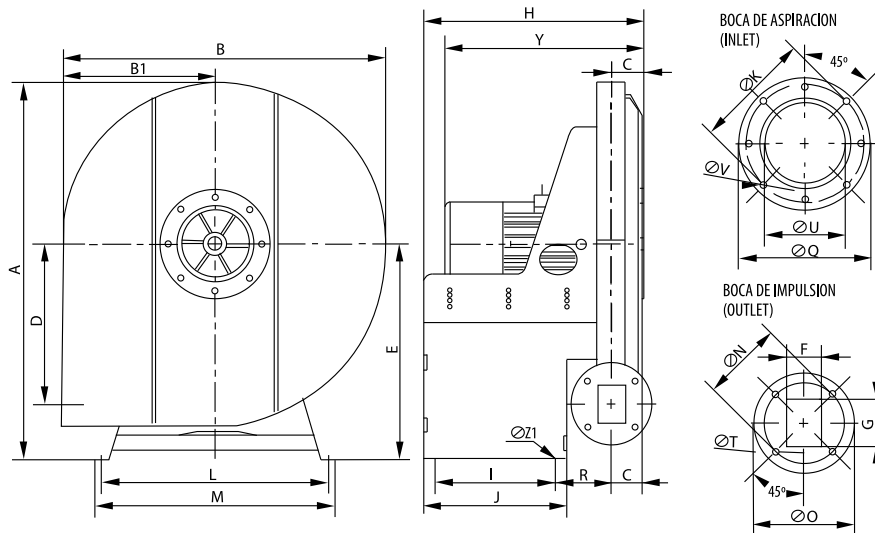
ACOUSTIC DATA



Sound power	
63 Hz	57
125 Hz	69
250 Hz	87
500 Hz	93
1000 Hz	101
2000 Hz	99
4000 Hz	93
8000 Hz	85
TOTAL	104

Sound pressure 1.5m (in)	
63 Hz	43
125 Hz	55
250 Hz	72
500 Hz	78
1000 Hz	86
2000 Hz	84
4000 Hz	79
8000 Hz	70
TOTAL	89

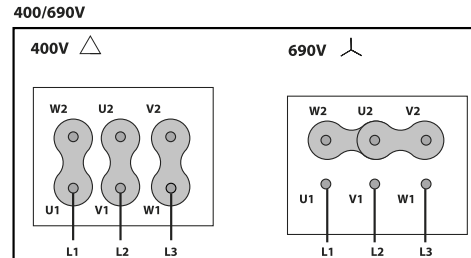
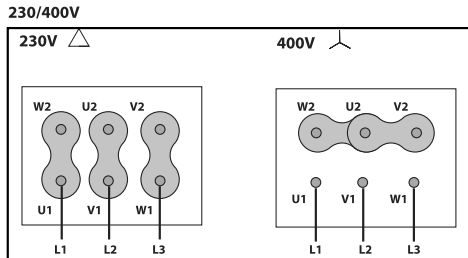
DIMENSIONS



Dimensions (mm)

A	918	B	807	B1	378	C	75	D	411,5
E	516	F	60	G	80	H	501,5	I	275
J	325	KØ	205	L	589	M	614	NØ	140
OØ	175	QØ	230	R	126,5	TØ	11	UØ	140
VØ	12	Y	516,5	Z1	11				

WIRING DIAGRAM



ACCESSORIES



SAFETY SWITCH
INT 25 3P A
REF: INT253PA



CIRCULAR OUTLET CONNECTION FLANGE
EI 47
REF: 962470111



ANTI-VIBRATION JOINT
JE 45
REF: 300719201



OUTLET PROTECTION GUARD
RBS 59
REF: 960000375



FREQUENCY SPEED CONTROLLER
SFC 400 III 16A *
REF: SFC400III16



INLET PROTECTION GUARD FOR CENTRIFUGAL FANS
RA 18/7
REF: 253171901



ANTI-VIBRATING FLANGE 400^o/2H
BA-400 20
REF: 960002066



CONNECTION FLANGE
AC 175
REF: 960003205



CIRCULAR-CIRCULAR ANTI-VIBRATION FLANGE
BAD 5
REF: 960003455

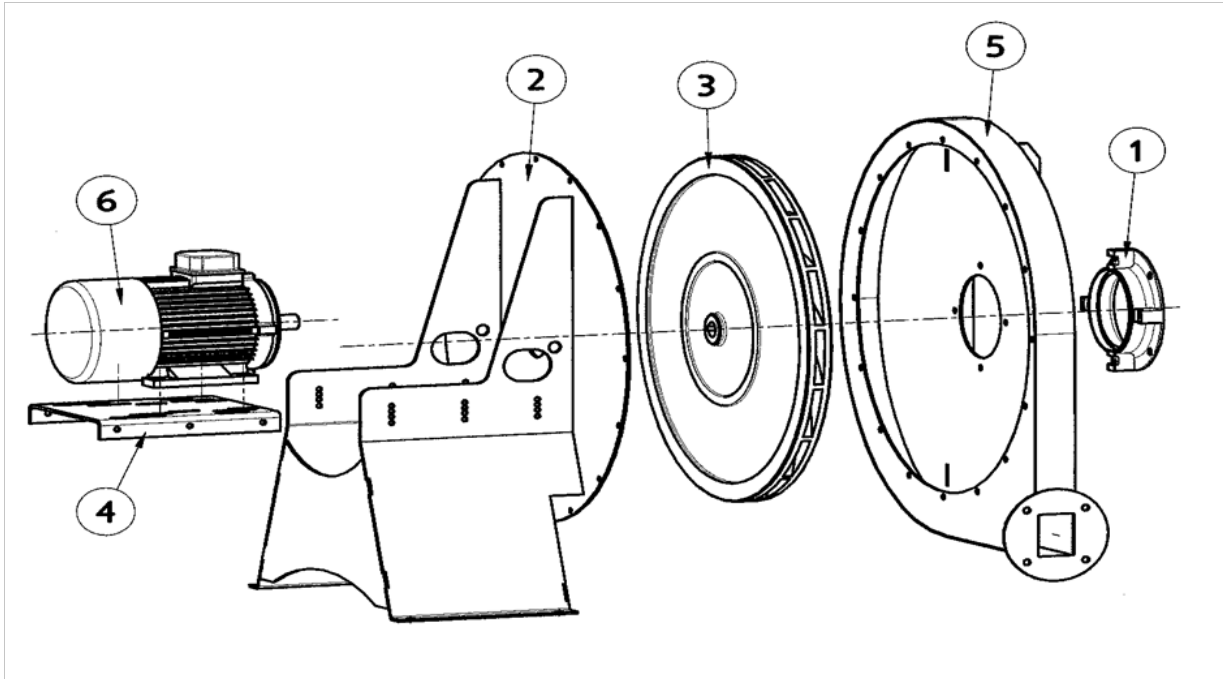


ANTI-VIBRATION RUBBER BLOCK
AVR (GENERIC)



**ANTI-VIBRATION SPRING BLOCK
AVS (GENERIC)**

SPARE PARTS



	Code	Model	RPM	Degrees
1	255351681S	1 x INLET CONE AA59-66-70	-	-
2	255499204	1 x BASE SUPPORT MOTOR AA70	-	-
3	255503651	1 x TURBINE AA 70 T2 5,5kW LG	-	-
4	243631754	1 x MOTOR SUPPORT MBR-MBRF63,71,45P/R(A)	-	-
5	255499421	1 x CASING AA70	-	-
6	721001082	1 x MOTOR 7,5kW T2 B3 400/690V IEC132	-	-