

AA 60/7 T2 11kW

GENERAL DATA



HIGH PRESSURE WITH ALUMINIUM BACKWARD IMPELLER

MANUFACTURING FEATURES:

- Rolling steel sheet housing.
- Fully welded housing.
- High efficiency simple inlet backward impeller with self-cleaning system manufactured in cast aluminium.
- Polyester powder finishing coat.
- Standard asynchronous squirrel-cage motor with IP-55 protection and class F insulation. Standard voltages 230/400V 50Hz motors up to 4kW and 400/690V 50Hz for higher powers.
- Standard orientation: LG270

APPLICATIONS:

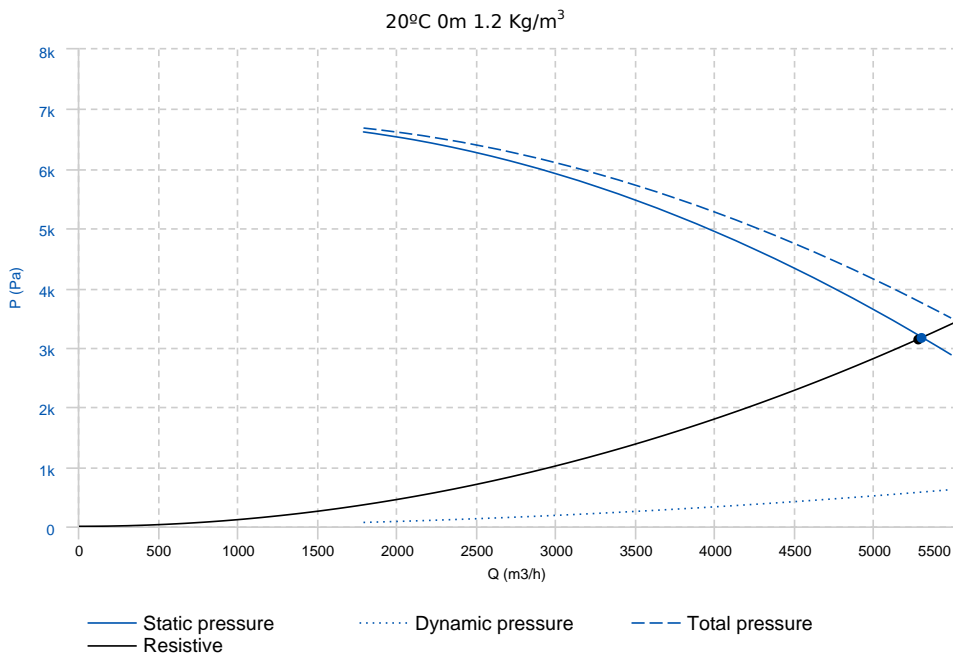
Designed for inline installation, they are suitable for:

- Industrial applications, extraction or injection of air.
- Cooling of machines and parts.
- Clean air transport.
- Exhaust after filters, separators and cyclones.
- Pneumatic transport.
- Maximum working temperature: carried air: 130°C, ambient 60°C.

UNDER REQUEST:

- 60Hz fans and special voltages.
- 2 speed motors.
- Orientation: LG0, LG45, LG90, LG135, LG180. LG225, LG315.

PERFORMANCE CURVE



Design point	
Flow (m ³ /h)	5277.57
Pressure (Pa)	3146.44
Service point	
T.max (°C)	130
Q (m ³ /h)	5298.07
Ps (Pa)	3170.93
Pd (Pa)	575.09
Pt (Pa)	3746.01
Speed (m/s)	30.96
Pabs (kW)	12.06

TECHNICAL DATA

Fan

RPM	2930	Approx. weight	141 kg	Max. Flow	5480 m3/h
-----	------	----------------	--------	-----------	-----------

Motor

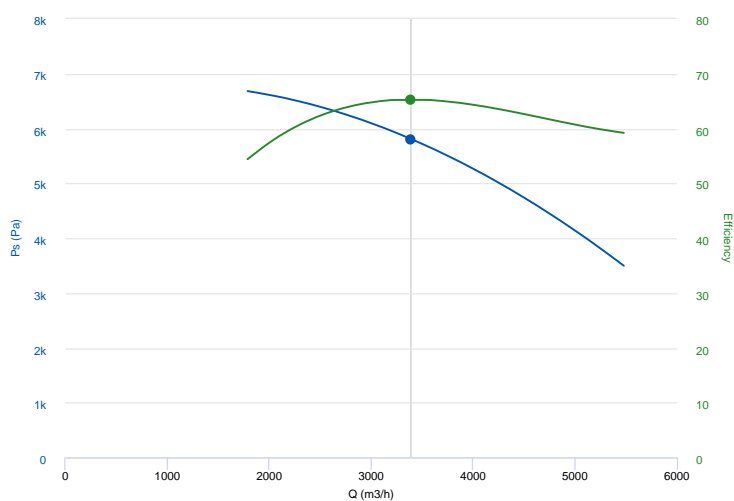
Power	11 kW	RPM	2940	I max. (400V)	20,8 A	I max. (690V)	12,1 A
Size	160L	Approx. weight	85 kg	Efficiency (%)	90 %	FP	0.85

ERP DATA

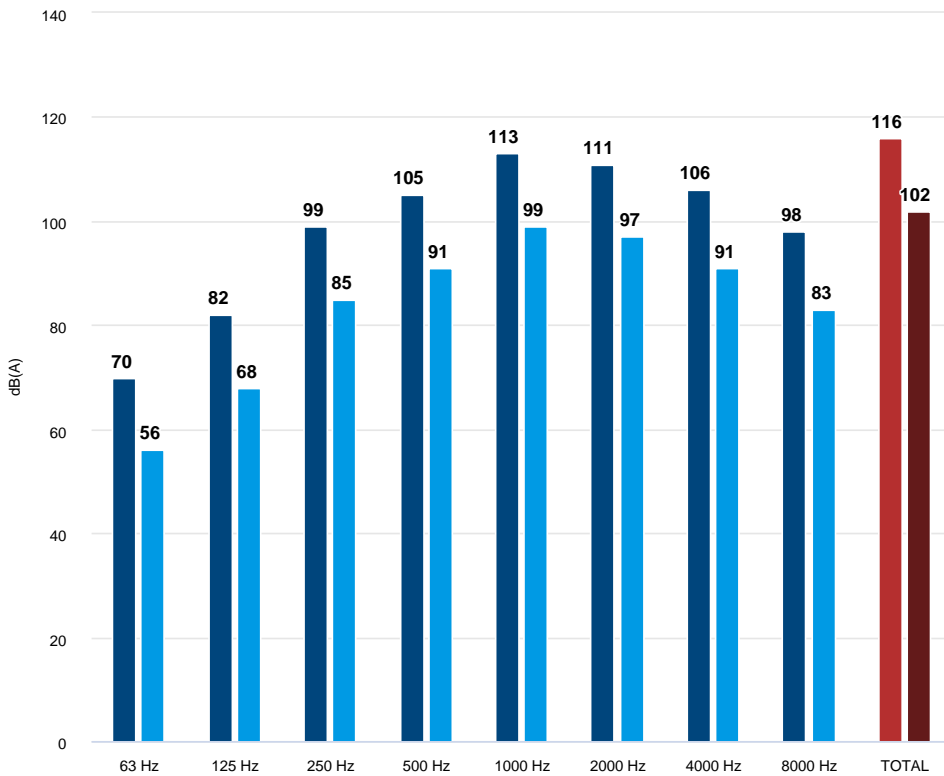
Fan data sheet

Fan type	Centrifugal fan backward blades with casing
Installation category	B: Inlet free, Ducted outlet
Efficiency category	Total
The fan has to be installed with VF	No
Motor power (kW)	11

	Fan values	ERP Requirements 2015
Max. efficiency (%)	65.27	63.59
Efficiency grade (N)	65.67	64
Pabs (kW)	9.149	
reports.flow (m3/h)	3391.86	
Total pressure (Pa)	5809.89	
Speed (m/s)	2930	
Specific ratio	1.00	



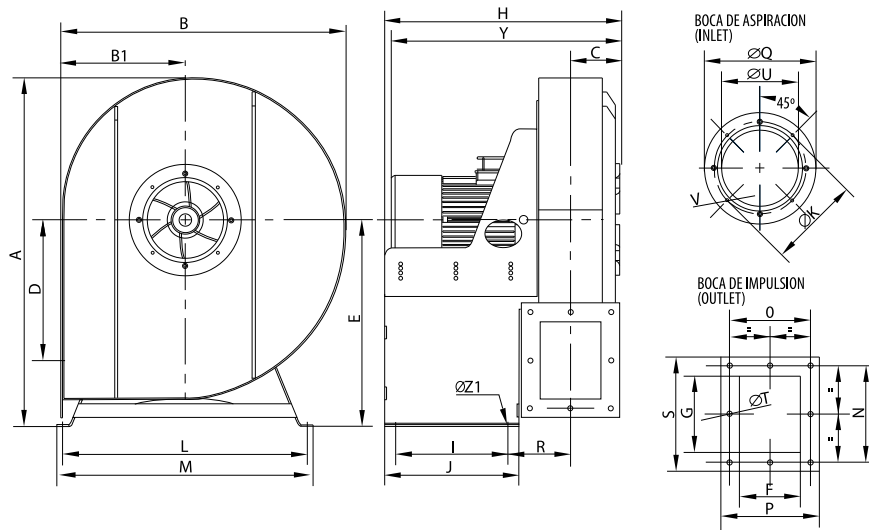
ACOUSTIC DATA



Sound power	
63 Hz	70
125 Hz	82
250 Hz	99
500 Hz	105
1000 Hz	113
2000 Hz	111
4000 Hz	106
8000 Hz	98
TOTAL	116

Sound pressure 1.5m (in)	
63 Hz	56
125 Hz	68
250 Hz	85
500 Hz	91
1000 Hz	99
2000 Hz	97
4000 Hz	91
8000 Hz	83
TOTAL	102

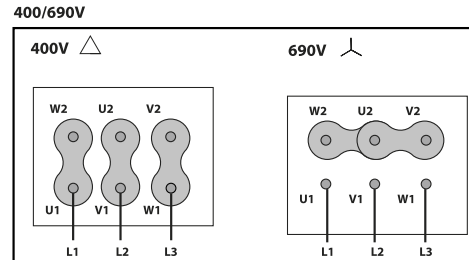
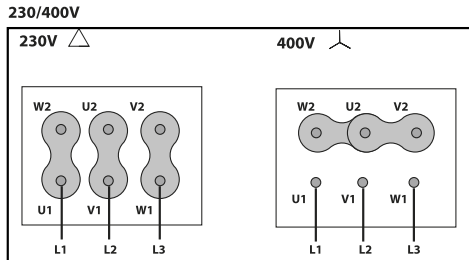
DIMENSIONS



Dimensions (mm)

A	922,5	B	777,5	B1	347,75	C	132,5	D	383
E	535	F	170	G	170	H	640,5	I	315
J	365	KØ	280	L	589	M	614	N	226
O	226	P	266	QØ	325	R	168	S	266
TØ	11	UØ	246	V	M6	Y	760,5	Z1Ø	11

WIRING DIAGRAM



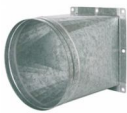
ACCESSORIES



SAFETY SWITCH
INT 25 3P A
REF: INT253PA



INLET PROTECTION GUARD FOR CENTRIFUGAL FANS
RA 25/10
REF: 253281901



CIRCULAR OUTLET CONNECTION FLANGE
EI 60/7
REF: 962600111



ANTI-VIBRATING FLANGE 400^o/2H
BA-400 25
REF: 960002051



ANTI-VIBRATION JOINT
JE 45
REF: 300719201



OUTLET PROTECTION GUARD
RBS 60/7
REF: 960000373



SILENCIADOR CIRCULAR
SIL-C 250/250
REF: 960025025



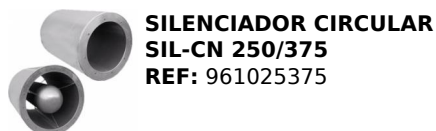
SILENCIADOR CIRCULAR
SIL-C 250/375
REF: 960025375



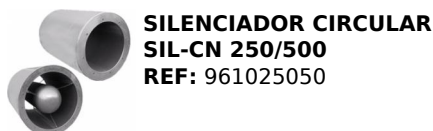
SILENCIADOR CIRCULAR
SIL-C 250/500
REF: 960025050



SILENCIADOR CIRCULAR
SIL-CN 250/250
REF: 961025025



**SILENCIADOR CIRCULAR
SIL-CN 250/375
REF: 961025375**



**SILENCIADOR CIRCULAR
SIL-CN 250/500
REF: 961025050**



**CIRCULAR-CIRCULAR ANTI-VIBRATION FLANGE
BAD 8
REF: 960003458**



**CONNECTION FLANGE
AC 250
REF: 960003208**



**FREQUENCY SPEED CONTROLLER
SFC 400 III 23A *
REF: SFC400III23**

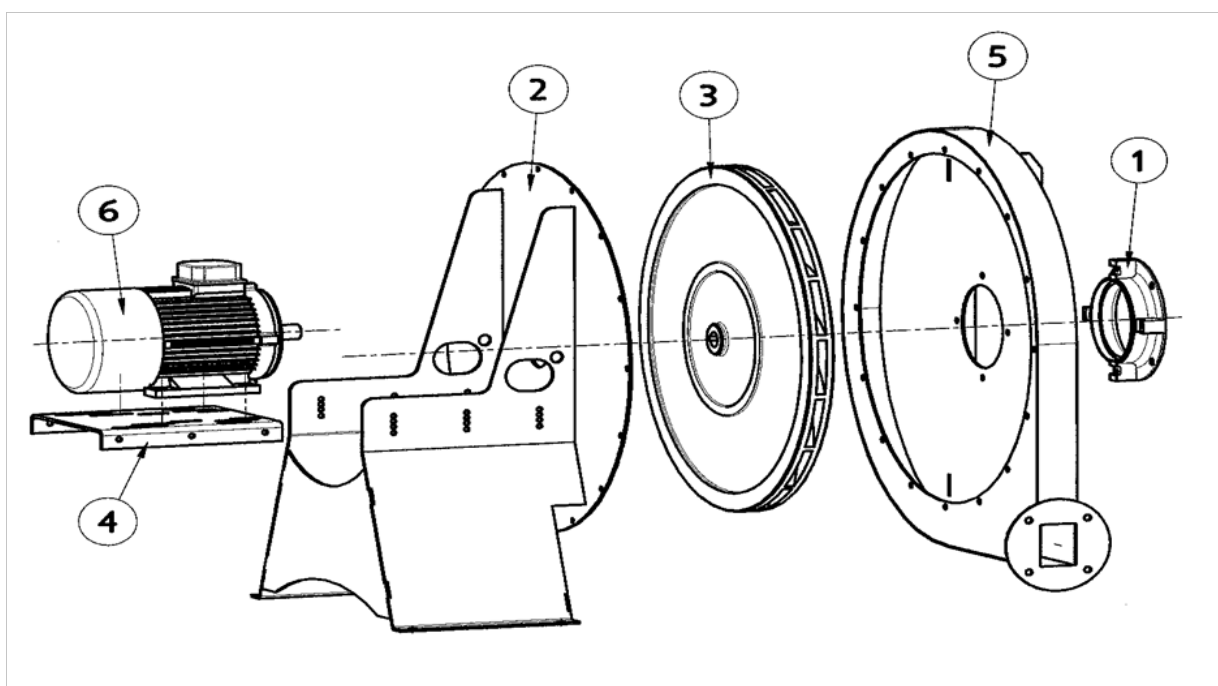


**ANTI-VIBRATION RUBBER BLOCK
AVR (GENERIC)**



**ANTI-VIBRATION SPRING BLOCK
AVS (GENERIC)**

SPARE PARTS



	Code	Model	RPM	Degrees
1	255521681S	1 x INLET CONE AA60/7	-	-
2	255529204	1 x BASE SUPPORT MOTOR AA60/7	-	-
3	255523652	1 x TURBINE AA 60/7 T2 11KW LG	-	-
4	243631753	1 x MOTOR SUPPORT MBR-MBRF63,71,45P/R(B)	-	-
5	255529421	1 x CASING AA60/7	-	-
6	721001086	1 x MOTOR 11KW T2 B3 400/690V IEC160	-	-