

MBP 31 T6 0,18kW (502203168)

GENERAL DATA



MEDIUM PRESSURE WITH BACKWARD IMPELLER AND PLASTIC CONSTRUCTION

MANUFACTURING FEATURES:

- PE plastic housing.
- Backward impeller with self-cleaning system in PP plastic.
- Motor support made of rolled steel sheet with polyester powder finishing coat.
- Stainless steel nuts and bolts.
- Standard asynchronous squirrel-cage motor, IP-55, class F insulation. Standard voltages 230/400V 50Hz
- Standard orientation: LG270.

APPLICATIONS:

Designed for inline installation, they are suitable for:

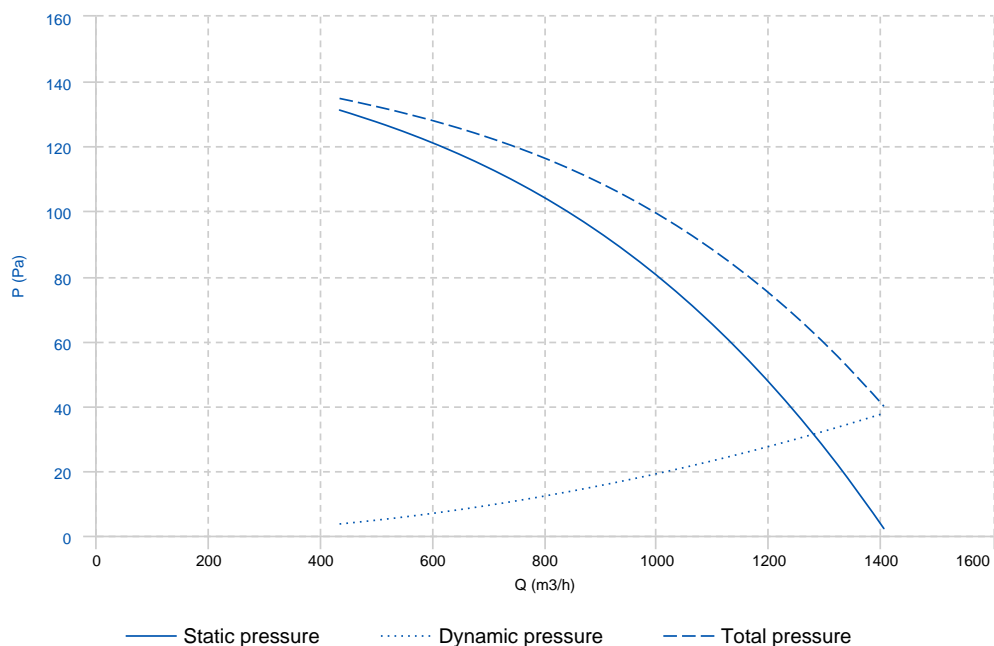
- Corrosive air transport.
- Chemical and petrochemical industry.
- Laboratories and gas cabinets.

- Maximum temperature of transported air: If it is clean air 70°C, other depends on the gas (see table in documentation)

UNDER REQUEST:

- Single phase motors (up to 1,5Kw).
- 60Hz fans and special voltages fans.
- 2 speed motors.
- Stainless steel motor support.
- Casing made of PP.
- Orientation: RD0, RD45, RD90, RD135, RD180, RD225, RD270, RD315, LG0, LG45, LG90, LG135, LG180. LG225, LG315.

PERFORMANCE CURVE

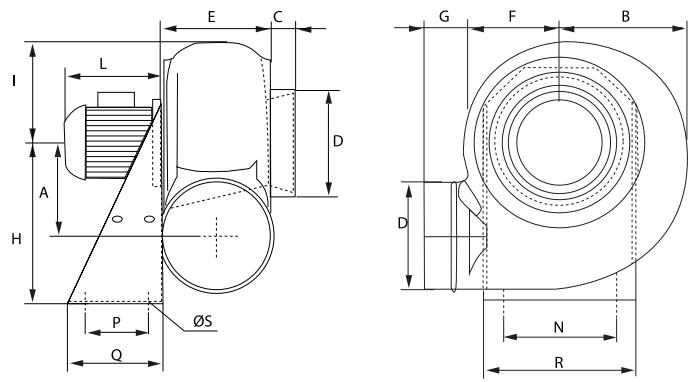


TECHNICAL DATA

Fan

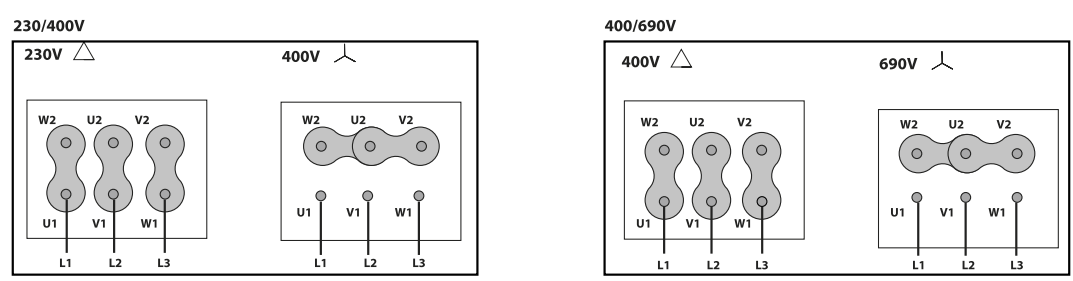
RPM	880	Approx. weight	19 kg	Max. Flow	1570 m3/h
-----	-----	----------------	-------	-----------	-----------

DIMENSIONS



Dimensions (mm)									
A	240	B	280	C	40	DØ	250	E	200
F	210	G	70	H	410	I	230	L	210
N	320	P	150	Q	230	R	355	S	11

WIRING DIAGRAM





ACCESSORIES



SAFETY SWITCH
INT 25 3P A
REF: INT253PA



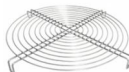
ANTI-VIBRATION JOINT
JE 45
REF: 300719201



DIFUSOR GRID
DG Ø250
REF: DG250



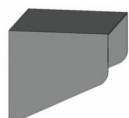
ADJUSTABLE DAMPER
AD Ø250
REF: AD-250



STAINLESS STEEL PROTECTION GRID
RPI Ø250
REF: RPI250



ANTI-VIBRATION BLOCK
AV 2
REF: AV-2



MOTOR PROTECTION
PCM 2
REF: PCM2



FREQUENCY SPEED CONTROLLER
SFC 400 III 1,2A *
REF: SFC400III1



ANTI-VIBRATION SPRING BLOCK
AVS (GENERIC)



ANTI-VIBRATING FLANGE 400º/2H
BA-400 25
REF: 960002051



PVC FLEXIBLE JOINT
FJ Ø250
REF: FJ-250



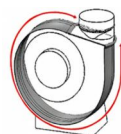
CIRCULAR GRAVITY DAMPER
CSC Ø250
REF: CSC250



DRAIN PLUG
PD 1
REF: PD1



WALL SUPPORT
WS 1
REF: WS1



CASING PROTECTION
PC 31
REF: PC31

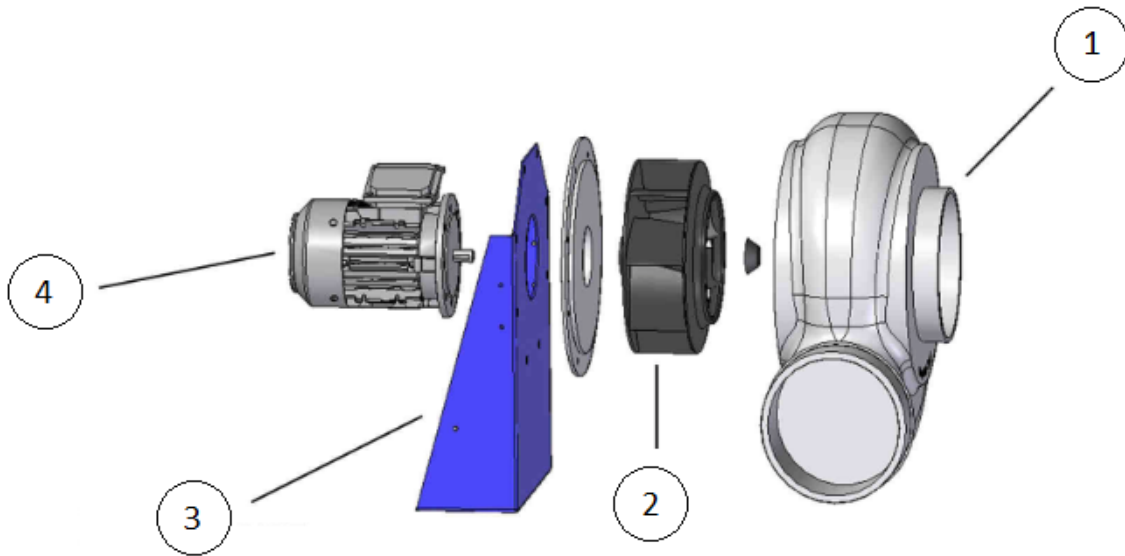


FREQUENCY SPEED CONTROLLER
SFC 230 I 2,5A *
REF: SFC230I003



ANTI-VIBRATION RUBBER BLOCK
AVR (GENERIC)

SPARE PARTS



	Code	Model	RPM	Degrees
2	T02203168	1 x TURBINE MBP 31 T6 0,18kW LG	-	-
4	721001219	1 x MOTOR 0,18kW T6 B5 230/400V	-	-