

# MBP 35 T2 2,2kW

## GENERAL DATA



### MEDIUM PRESSURE WITH BACKWARD IMPELLER AND PLASTIC CONSTRUCTION

#### MANUFACTURING FEATURES:

- PE plastic housing.
- Backward impeller with self-cleaning system in PP plastic.
- Motor support made of rolled steel sheet with polyester powder finishing coat.
- Stainless steel nuts and bolts.
- Standard asynchronous squirrel-cage motor, IP-55, class F insulation. Standard voltages 230/400V 50Hz
- Standard orientation: LG270.

#### APPLICATIONS:

Designed for inline installation, they are suitable for:

- Corrosive air transport.
- Chemical and petrochemical industry.
- Laboratories and gas cabinets.

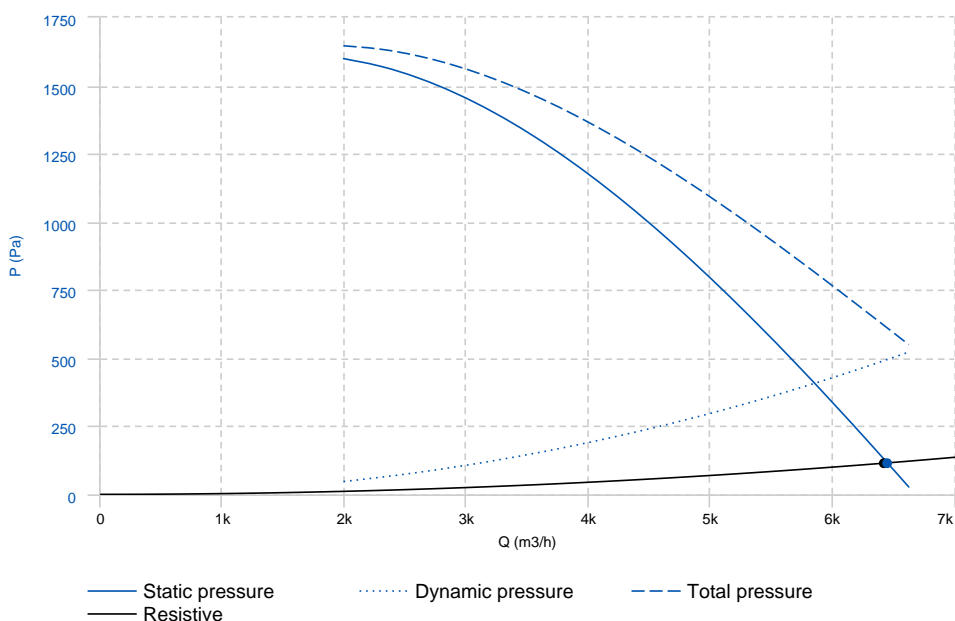
- Maximum temperature of transported air: If it is clean air 70°C, other depends on the gas (see table in documentation)

#### UNDER REQUEST:

- Single phase motors (up to 1,5Kw).
- 60Hz fans and special voltages fans.
- 2 speed motors.
- Stainless steel motor support.
- Casing made of PP.
- Orientation: RD0, RD45, RD90, RD135, RD180, RD225, RD270, RD315, LG0, LG45, LG90, LG135, LG180. LG225, LG315.

## PERFORMANCE CURVE

20°C 0m 1.2 Kg/m<sup>3</sup>



Design point	
Flow (m3/h)	6433.82
Pressure (Pa)	114.82
Service point	
T.max (°C)	50
Q (m3/h)	6451.46
Ps (Pa)	115.45
Pd (Pa)	494.95
Pt (Pa)	610.4
Speed (m/s)	28.73
Security coefficient	0.99
Fan total efficiency	42.351
Efficiency (%)	49.12
Pabs (kW)	2.58
Pwmec (kW)	2.23

## TECHNICAL DATA

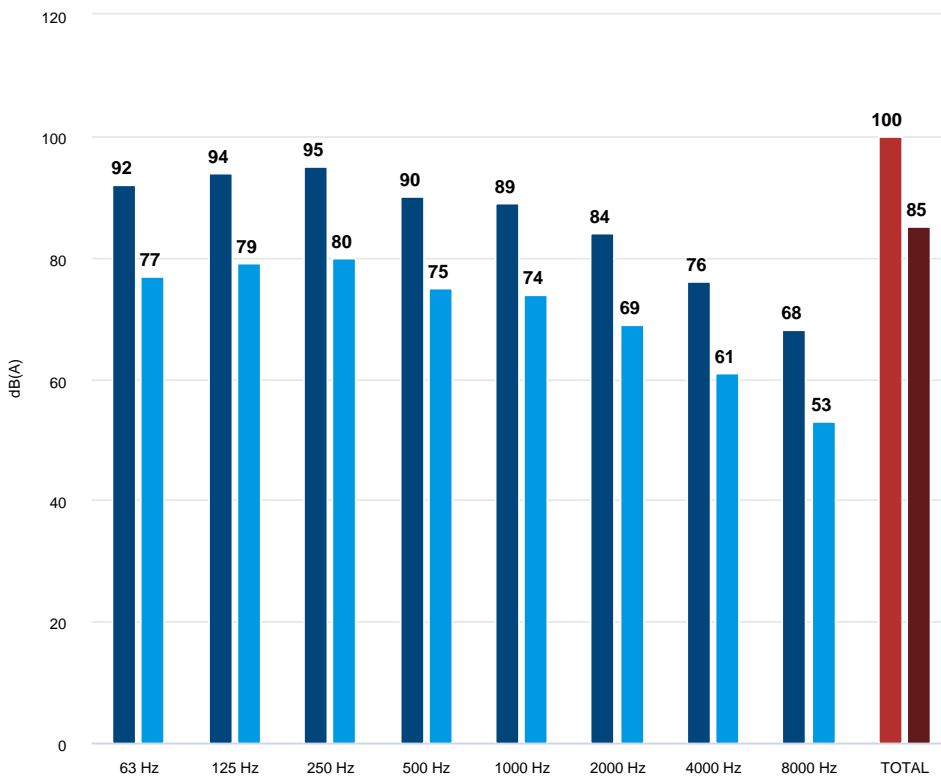
### Fan

RPM	2860	Approx. weight	32 kg	Max. Flow	6700 m3/h
-----	------	----------------	-------	-----------	-----------

### Motor

Power	2.2 kW	RPM	2860	I max. (230V)	7.9 A	I max. (400V)	4.54 A
Size	90	Efficiency (%)	83.2 %	FP	0.84		

## ACOUSTIC DATA



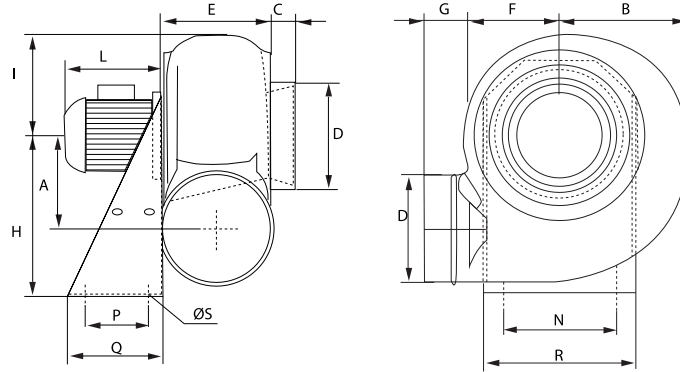
### Sound power

63 Hz	92
125 Hz	94
250 Hz	95
500 Hz	90
1000 Hz	89
2000 Hz	84
4000 Hz	76
8000 Hz	68
TOTAL	100

### Sound pressure 1.5m (in)

63 Hz	77
125 Hz	79
250 Hz	80
500 Hz	75
1000 Hz	74
2000 Hz	69
4000 Hz	61
8000 Hz	53
TOTAL	85

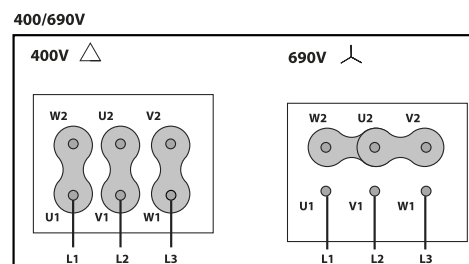
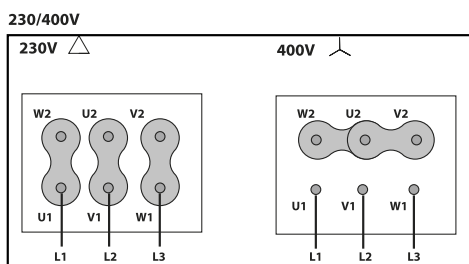
## DIMENSIONS



**Dimensions (mm)**

A	260	B	312	C	40	DØ	280	E	237
F	230	G	50	H	445	I	270	L	290
N	355	P	150	Q	230	R	390	S	11

## WIRING DIAGRAM



## ACCESSORIES



**SAFETY SWITCH**  
INT 25 3P A  
REF: INT253PA



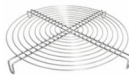
**ANTI-VIBRATION JOINT**  
JE 45  
REF: 300719201



**DIFUSOR GRID**  
DG Ø280  
REF: DG280



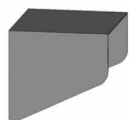
**ADJUSTABLE DAMPER**  
AD Ø280  
REF: AD-280



**STAINLESS STEEL PROTECTION GRID**  
RPI Ø280  
REF: RPI280



**ANTI-VIBRATION BLOCK**  
AV 2  
REF: AV-2



**MOTOR PROTECTION**  
PCM 2  
REF: PCM2



**FREQUENCY SPEED CONTROLLER**  
SFC 400 III 5A \*  
REF: SFC400III5



**ANTI-VIBRATION SPRING BLOCK**  
AVS (GENERIC)



**ANTI-VIBRATING FLANGE 400º/2H**  
BA-400 30/31  
REF: 960002052



**PVC FLEXIBLE JOINT**  
FJ Ø280  
REF: FJ-280



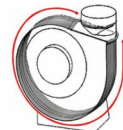
**CIRCULAR GRAVITY DAMPER**  
CSC Ø280  
REF: CSC280



**DRAIN PLUG**  
PD 1  
REF: PD1



**WALL SUPPORT**  
WS 1  
REF: WS1



**CASING PROTECTION**  
PC 35  
REF: PC35

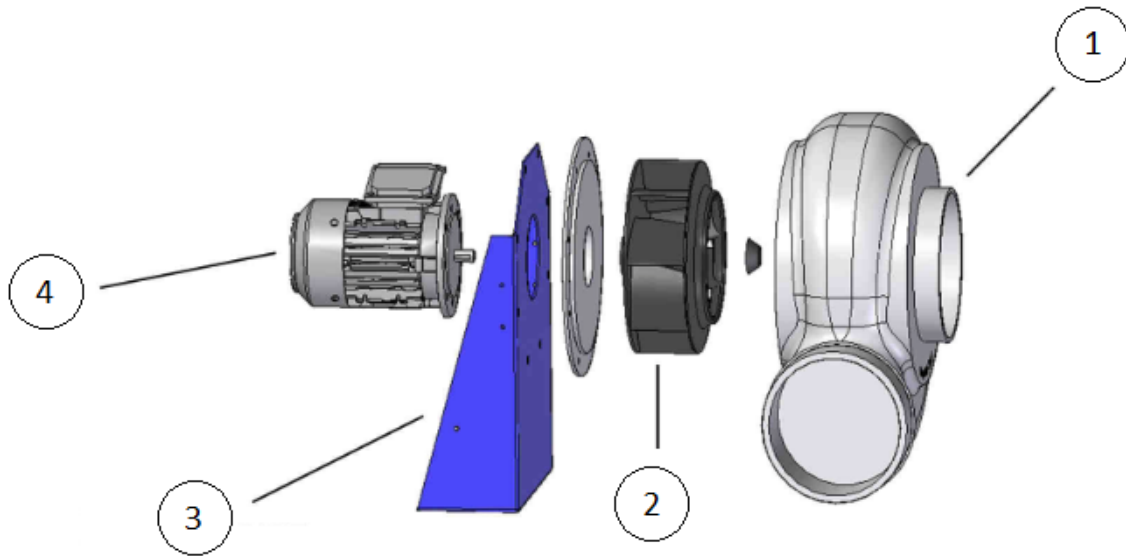


**FREQUENCY SPEED CONTROLLER**  
SFC 230 I 10A \*  
REF: SFC230I0010



**ANTI-VIBRATION RUBBER BLOCK**  
AVR (GENERIC)

**SPARE PARTS**



	Code	Model	RPM	Degrees
2	T02203527	1 x TURBINE MBP 35 T2 2,2kW LG	-	-
4	721001052	1 x MOTOR 2,2kW T2 B14 230/400V IEC90	-	-