

# MBP 40 T6 0,25kW

## GENERAL DATA



### MEDIUM PRESSURE WITH BACKWARD IMPELLER AND PLASTIC CONSTRUCTION

#### MANUFACTURING FEATURES:

- PE plastic housing.
- Backward impeller with self-cleaning system in PP plastic.
- Motor support made of rolled steel sheet with polyester powder finishing coat.
- Stainless steel nuts and bolts.
- Standard asynchronous squirrel-cage motor, IP-55, class F insulation. Standard voltages 230/400V 50Hz
- Standard orientation: LG270.

#### APPLICATIONS:

Designed for inline installation, they are suitable for:

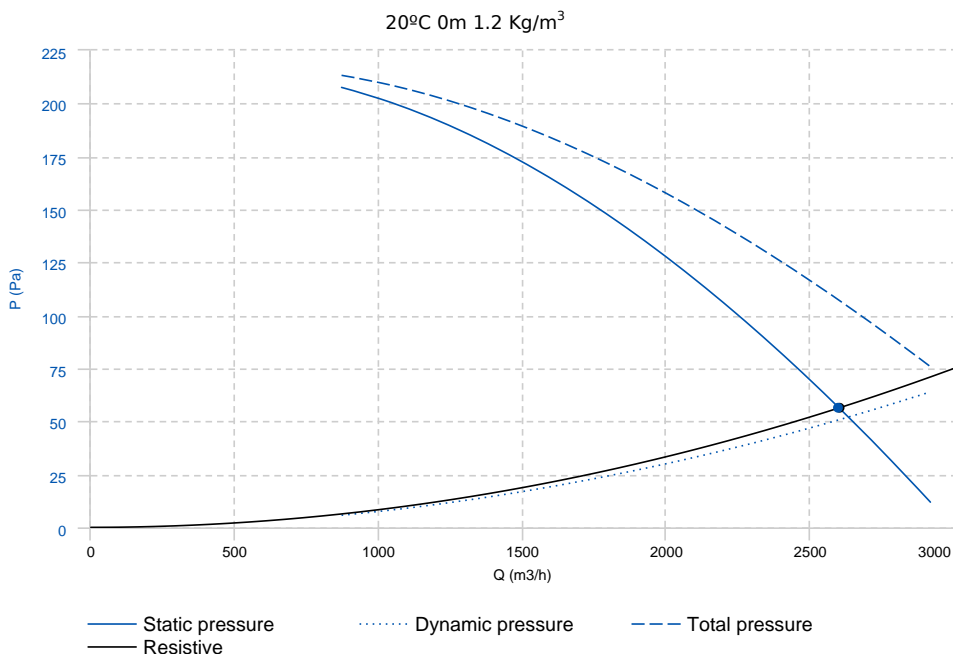
- Corrosive air transport.
- Chemical and petrochemical industry.
- Laboratories and gas cabinets.

- Maximum temperature of transported air: If it is clean air 70°C, other depends on the gas (see table in documentation)

#### UNDER REQUEST:

- Single phase motors (up to 1,5Kw).
- 60Hz fans and special voltages fans.
- 2 speed motors.
- Stainless steel motor support.
- Casing made of PP.
- Orientation: RD0, RD45, RD90, RD135, RD180, RD225, RD270, RD315, LG0, LG45, LG90, LG135, LG180. LG225, LG315.

## PERFORMANCE CURVE



| Design point         |         |
|----------------------|---------|
| Flow (m3/h)          | 2602.67 |
| Pressure (Pa)        | 56.5    |
| Service point        |         |
| T.max (°C)           | 50      |
| Q (m3/h)             | 2599.62 |
| Ps (Pa)              | 56.37   |
| Pd (Pa)              | 50.78   |
| Pt (Pa)              | 107.14  |
| Speed (m/s)          | 9.2     |
| Security coefficient | 2.02    |
| Fan total efficiency | 39.531  |
| Efficiency (%)       | 62.19   |
| Pabs (kW)            | 0.2     |
| Pwmec (kW)           | 0.12    |

## TECHNICAL DATA

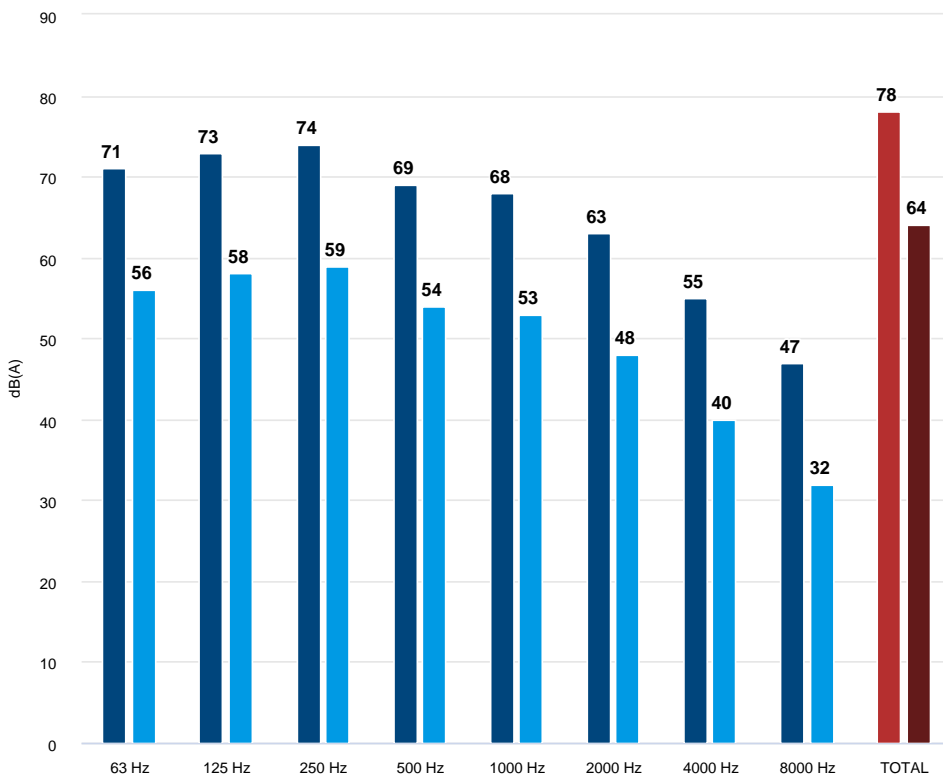
### Fan

|     |     |                |       |           |           |
|-----|-----|----------------|-------|-----------|-----------|
| RPM | 900 | Approx. weight | 30 kg | Max. Flow | 3180 m3/h |
|-----|-----|----------------|-------|-----------|-----------|

### Motor

|       |         |                |      |               |       |               |        |
|-------|---------|----------------|------|---------------|-------|---------------|--------|
| Power | 0.25 kW | RPM            | 900  | I max. (230V) | 1.5 A | I max. (400V) | 0.87 A |
| Size  | 71      | Efficiency (%) | 59 % | FP            | 0.7   |               |        |

## ACOUSTIC DATA

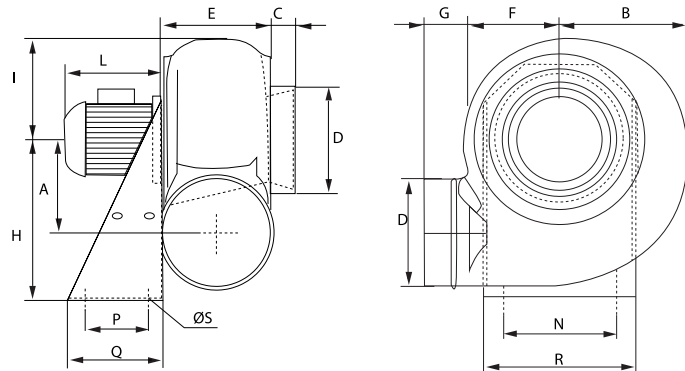


| Sound power |    |
|-------------|----|
| 63 Hz       | 71 |
| 125 Hz      | 73 |
| 250 Hz      | 74 |
| 500 Hz      | 69 |
| 1000 Hz     | 68 |
| 2000 Hz     | 63 |
| 4000 Hz     | 55 |
| 8000 Hz     | 47 |
| TOTAL       | 78 |

| Sound pressure 1.5m (in) |    |
|--------------------------|----|
| 63 Hz                    | 56 |
| 125 Hz                   | 58 |
| 250 Hz                   | 59 |
| 500 Hz                   | 54 |
| 1000 Hz                  | 53 |
| 2000 Hz                  | 48 |
| 4000 Hz                  | 40 |
| 8000 Hz                  | 32 |
| TOTAL                    | 64 |



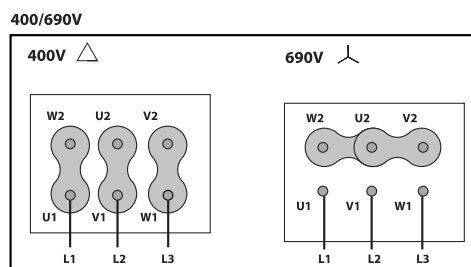
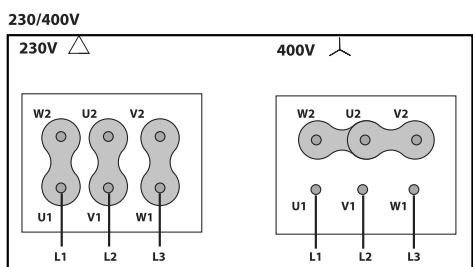
**DIMENSIONS**



Dimensions (mm)

|   |     |   |     |   |     |    |     |   |     |
|---|-----|---|-----|---|-----|----|-----|---|-----|
| A | 290 | B | 356 | C | 40  | DØ | 315 | E | 252 |
| F | 264 | G | 55  | H | 495 | I  | 295 | L | 220 |
| N | 325 | P | 170 | Q | 250 | R  | 365 | S | 11  |

**WIRING DIAGRAM**





## ACCESSORIES



**SAFETY SWITCH**  
**INT 25 3P A**  
REF: INT253PA



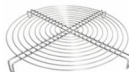
**ANTI-VIBRATION JOINT**  
**JE 45**  
REF: 300719201



**DIFUSOR GRID**  
**DG Ø315**  
REF: DG315



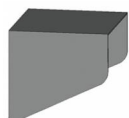
**ADJUSTABLE DAMPER**  
**AD Ø315**  
REF: AD-315



**STAINLESS STEEL PROTECTION GRID**  
**RPI Ø315**  
REF: RPI315



**ANTI-VIBRATION BLOCK**  
**AV 2**  
REF: AV-2



**MOTOR PROTECTION**  
**PCM 2**  
REF: PCM2



**FREQUENCY SPEED CONTROLLER**  
**SFC 400 III 1,2A \***  
REF: SFC400III1



**ANTI-VIBRATION SPRING BLOCK**  
**AVS (GENERIC)**



**ANTI-VIBRATING FLANGE 400º/2H**  
**BA-400 30/31**  
REF: 960002052



**PVC FLEXIBLE JOINT**  
**FJ Ø315**  
REF: FJ-315



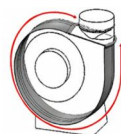
**CIRCULAR GRAVITY DAMPER**  
**CSC Ø315**  
REF: CSC315



**DRAIN PLUG**  
**PD 1**  
REF: PD1



**WALL SUPPORT**  
**WS 1**  
REF: WS1



**CASING PROTECTION**  
**PC 40**  
REF: PC40

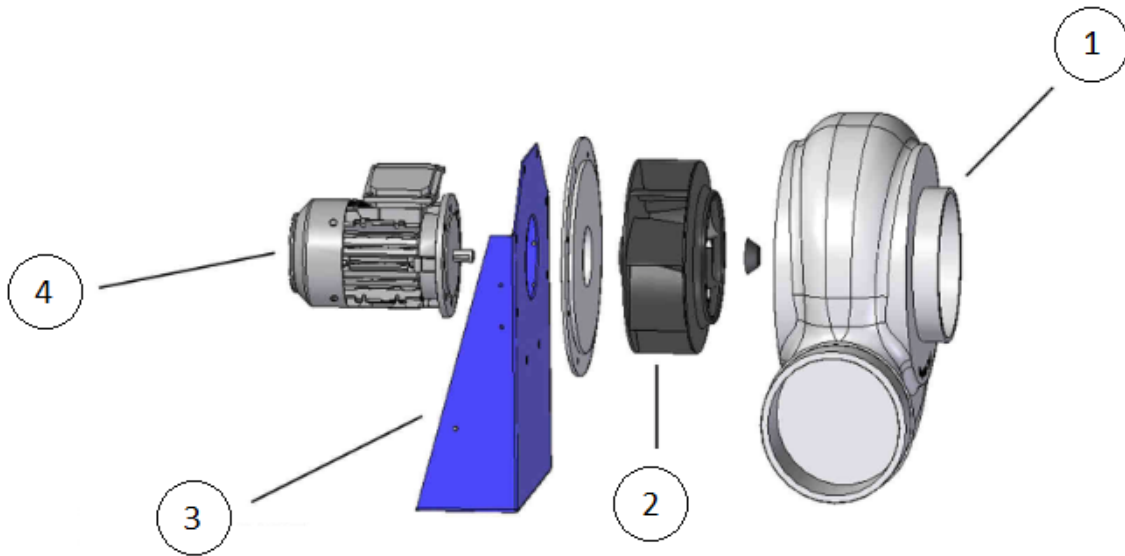


**FREQUENCY SPEED CONTROLLER**  
**SFC 230 I 2,5A \***  
REF: SFC230I003



**ANTI-VIBRATION RUBBER BLOCK**  
**AVR (GENERIC)**

**SPARE PARTS**



|   | Code      | Model                           | RPM | Degrees |
|---|-----------|---------------------------------|-----|---------|
| 2 | T02204069 | 1 x TURBINE MBP 40 T6 0,25kW LG | -   | -       |
| 4 | 721001225 | 1 x MOTOR 0,25kW T6 B5 230/400V | -   | -       |