

# MBPX 20 T4 0,12kW

## GENERAL DATA



PLASTIC ATEX FAN WITH BACKWARD IMPELLER

### MANUFACTURING FEATURES

- Antistatic PE-el antistatic housing.
- Backward curved impeller in PP plastic.
- Motor support made of rolled steel sheet with polyester powder finishing coat.
- Stainless steel nuts and bolts.
- Standard asynchronous squirrel-cage motor, IP-55, class F insulation. Standard voltages 230/400V 50Hz. Equipped with II2G Eex-d motor.
- Standard orientation: LG270.

### APPLICATIONS

Designed for inline installation, they are suitable for:

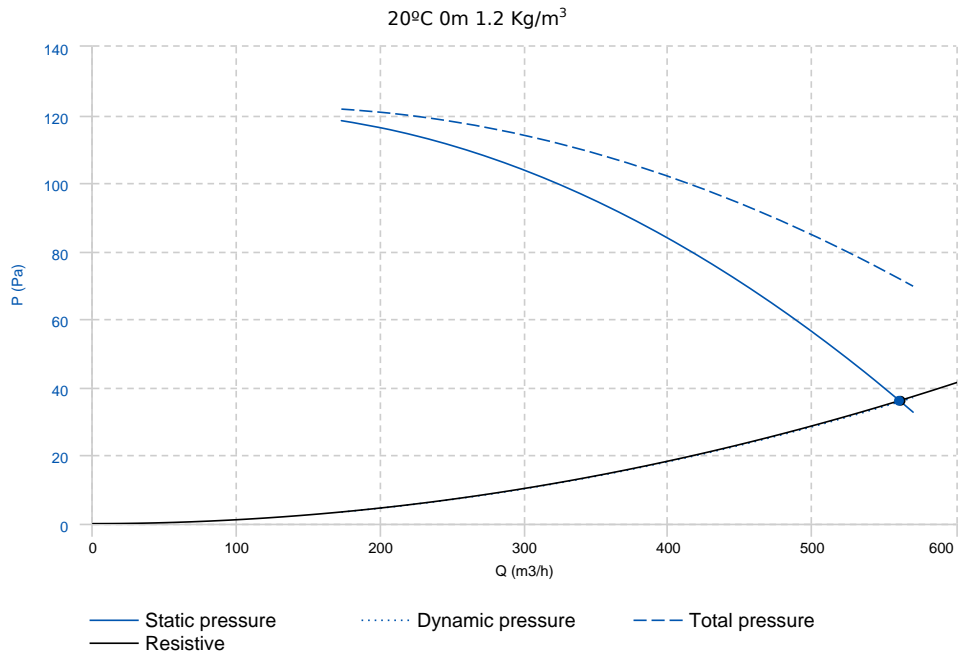
- Corrosive air transport.
- Chemical and petrochemical industry.
- Laboratories and gas cabinets.
- General ventilation in closed environments classified as ATEX zone 2.
- Temperatura máxima del aire transportado: si es aire limpio a 70°C, otros dependerá del gas (consulte la tabla en la documentación)

### UNDER REQUEST

- 60Hz fans and special voltages fans.
- Stainless steel motor support.

In compliance with the ATEX Directive 2014/34/UE. Certified ATEX II3G o II3D with certified ATEX motor for areas 2 (gas) or 22 (dust)

## PERFORMANCE CURVE



Design point	
Flow (m3/h)	561.36
Pressure (Pa)	36.22
Service point	
T.max (°C)	50
Q (m3/h)	560.55
Ps (Pa)	36.12
Pd (Pa)	35.77
Pt (Pa)	71.89
Speed (m/s)	7.72
Security coefficient	9.57
Efficiency (%)	89.34
Pwmec (kW)	0.01

## TECHNICAL DATA

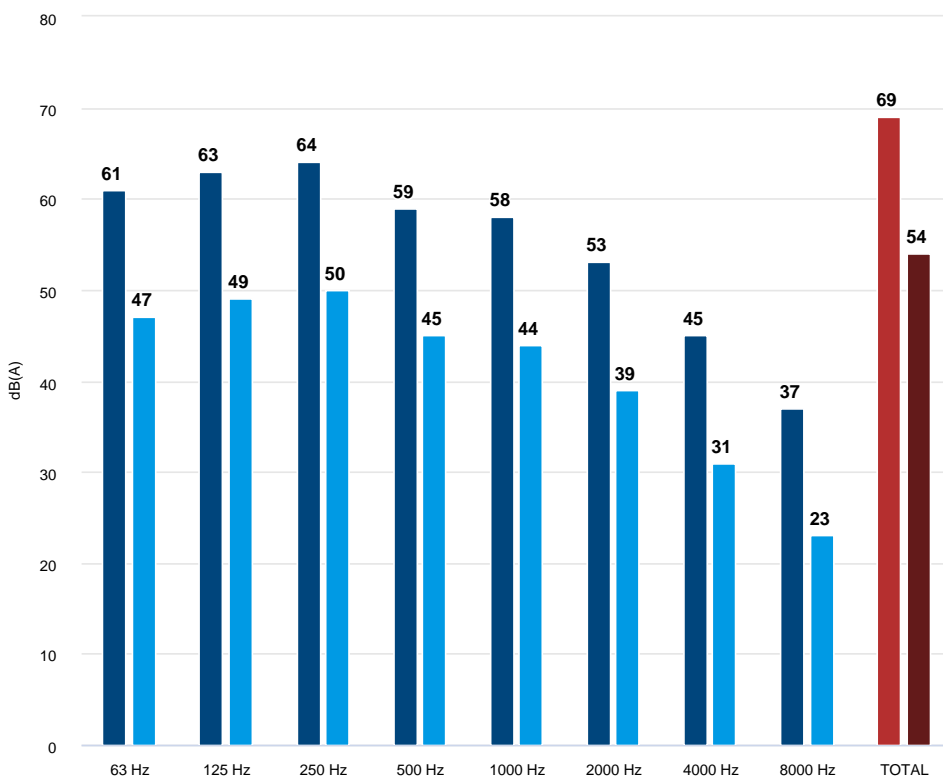
### Fan

RPM	1400	Approx. weight	17 kg	Max. Flow	570 m3/h
-----	------	----------------	-------	-----------	----------

### Motor

Power	0,12 kW	RPM	1420	I max. (400V)	0,71 A	Size	63
Approx. weight	4 kg	Efficiency (%)	56 %	FP	0.7		

## ACOUSTIC DATA



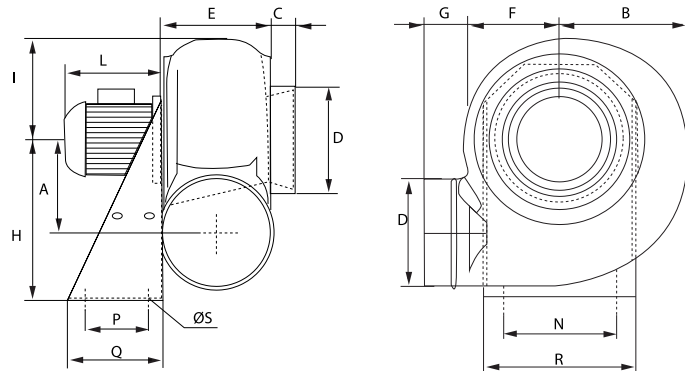
### Sound power

63 Hz	61
125 Hz	63
250 Hz	64
500 Hz	59
1000 Hz	58
2000 Hz	53
4000 Hz	45
8000 Hz	37
TOTAL	69

### Sound pressure 1.5m (in)

63 Hz	47
125 Hz	49
250 Hz	50
500 Hz	45
1000 Hz	44
2000 Hz	39
4000 Hz	31
8000 Hz	23
TOTAL	54

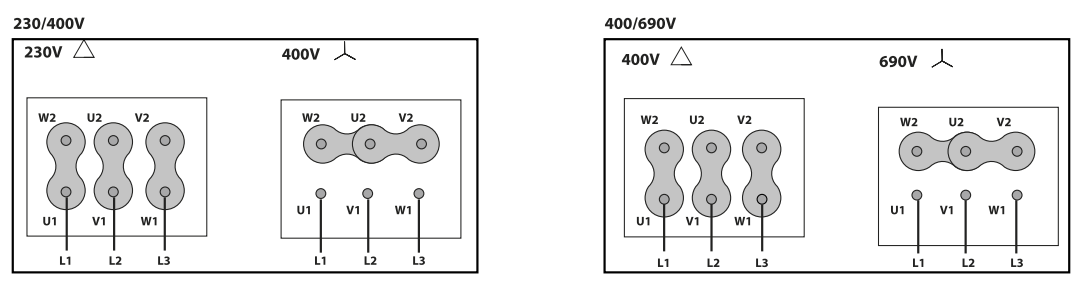
## DIMENSIONS



**Dimensions (mm)**

<b>A</b>	140	<b>B</b>	180	<b>C</b>	35	<b>DØ</b>	160	<b>E</b>	160
<b>F</b>	138	<b>G</b>	55	<b>H</b>	250	<b>I</b>	150	<b>L</b>	190
<b>N</b>	200	<b>P</b>	100	<b>Q</b>	140	<b>R</b>	235	<b>S</b>	11

## WIRING DIAGRAM





## ACCESSORIES



**ANTI-VIBRATING FLANGE 400°/2H**  
**BA-400 15/16**  
REF: 960002067



**ANTI-VIBRATION JOINT**  
**JE 45**  
REF: 300719201



**ATEX SWITCH**  
**INT 16 ATEX**  
REF: 510200016X



**PVC FLEXIBLE JOINT**  
**FJ Ø160**  
REF: FJ-160



**DIFUSOR GRID**  
**DG Ø160**  
REF: DG160



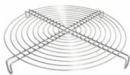
**CIRCULAR GRAVITY DAMPER**  
**CSC Ø160**  
REF: CSC160



**ADJUSTABLE DAMPER**  
**AD Ø160**  
REF: AD-160



**DRAIN PLUG**  
**PD 1**  
REF: PD1



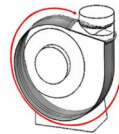
**STAINLESS STEEL PROTECTION GRID**  
**RPI Ø160**  
REF: RPI160



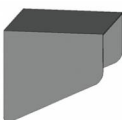
**WALL SUPPORT**  
**WS 1**  
REF: WS1



**ANTI-VIBRATION BLOCK**  
**AV 1**  
REF: AV-1



**CASING PROTECTION**  
**PC 20**  
REF: PC20



**MOTOR PROTECTION**  
**PCM 1**  
REF: PCM1



**FREQUENCY SPEED CONTROLLER**  
**SFC 230 I 2,5A \***  
REF: SFC230I003



**FREQUENCY SPEED CONTROLLER**  
**SFC 400 III 1,2A \***  
REF: SFC400III1

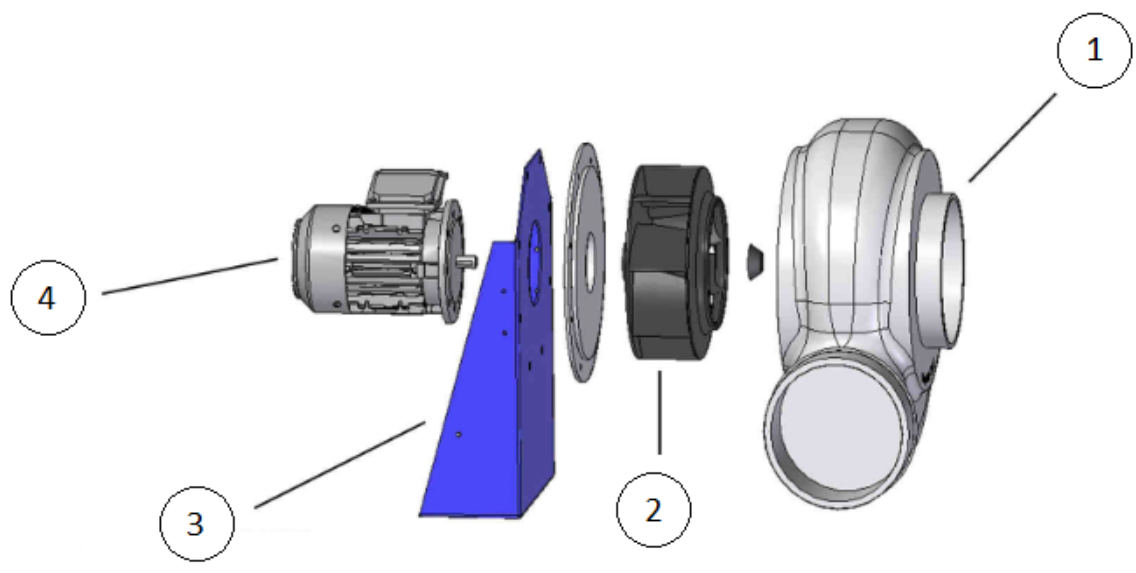


**ANTI-VIBRATION RUBBER BLOCK**  
**AVR (GENERIC)**



**ANTI-VIBRATION SPRING BLOCK**  
**AVS (GENERIC)**

**SPARE PARTS**



	Code	Model	RPM	Degrees
1	T03002039	1 x TURBINE MBPX 20 T4 0,12 kW LG	-	-