

# HJBM 40 M4 0,18kW

## GENERAL DATA



SQUARE WALL PLATE FAN, VARIABLE PITCH BLADES

### MANUFACTURING FEATURES

- Square plate made of galvanized steel sheet.
- Variable pitch angle polyamide impeller reinforced with fibreglass.
- Supplied with motor support and protection guard according to the ROHS 2002/95/EC Directive (Restriction of the Use of Certain Hazardous Substances in Electrical and Electronic Equipments).
- Standard asynchronous squirrel-cage motor with IP-55 protection (wiring box IP-65) and Class F insulation. Manufactured with standard voltages: 230V 50Hz in single phase motors and 230/400V 50Hz in three phase motors.

### APPLICATIONS

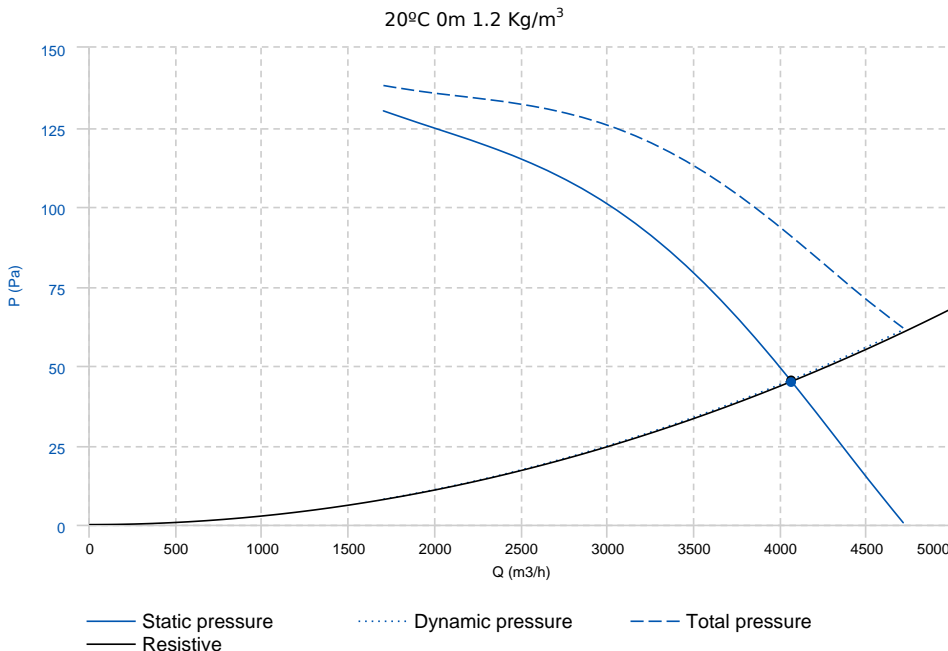
Designed for wall assembly, they are suitable for:

- Air renewal in buildings and industries.
- Maximum working temperature: single phase 50°C, three phase 60°C.

### UNDER REQUEST

- B form impeller (air flow from impeller to motor).
- 100% reversible impeller.
- Aluminium impeller.
- 60Hz fans and special voltages.

## PERFORMANCE CURVE



Design point	
Flow (m3/h)	4069.87
Pressure (Pa)	45.19
Service point	
T.max (°C)	50
Q (m3/h)	4062.96
Ps (Pa)	45.04
Pd (Pa)	45.58
Pt (Pa)	90.62
Speed (m/s)	8.72
Pabs (kW)	0.28

## TECHNICAL DATA

### Fan

RPM	1400	Approx. weight	9 kg	Max. Flow	4710 m3/h
-----	------	----------------	------	-----------	-----------

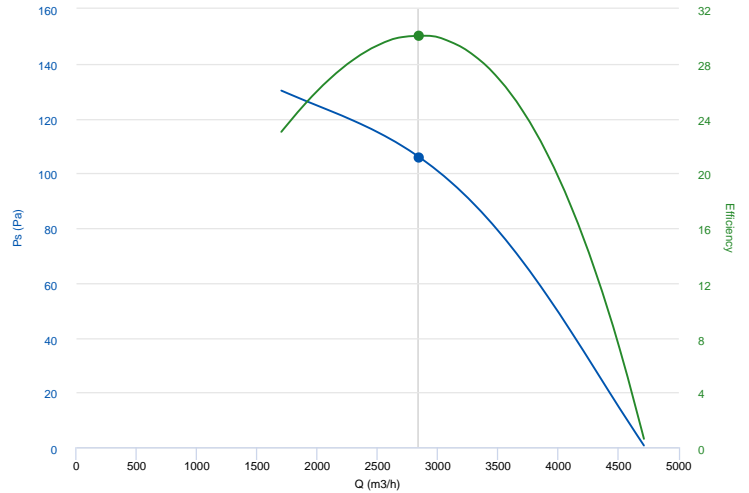
### Motor

Power	0,18 kW	RPM	1400	Capacitor	8μF 450V	I max. (230V)	1,55 A
Size	63	Approx. weight	4.5 kg	Efficiency (%)	59 %	FP	0.92

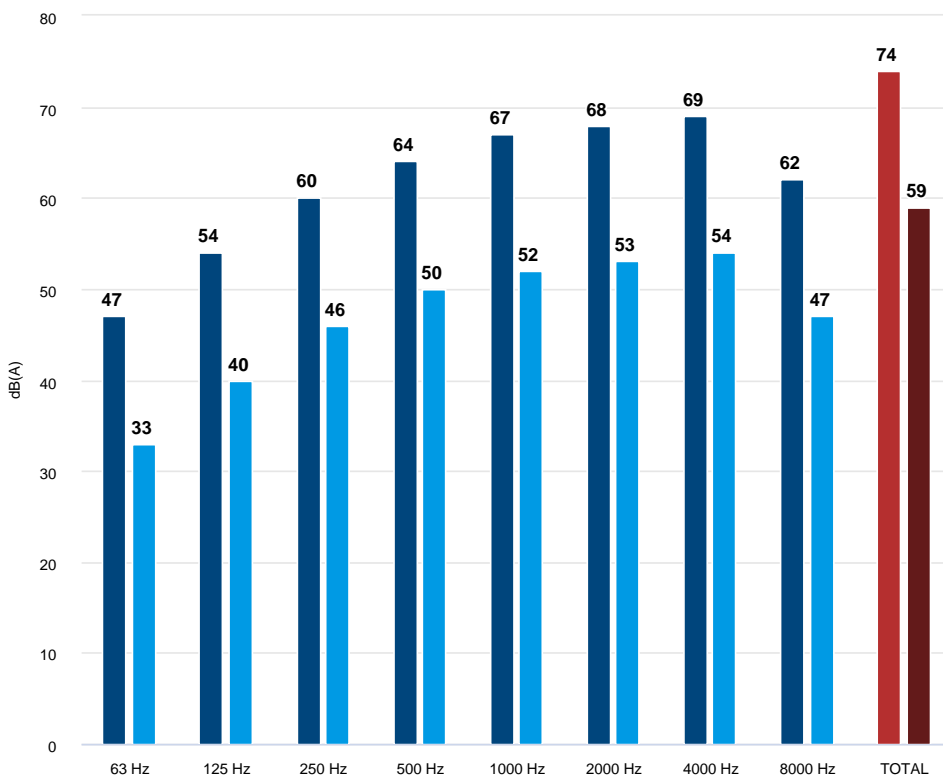
### ERP DATA

#### Fan data sheet

Fan type	Axial fan	
Installation category	A: Outlet and Inlet free discharge	
Efficiency category	Static	
The fan has to be installed with VF	No	
Motor power (kW)	0.18	
	<b>Fan values</b>	<b>ERP Requirements 2015</b>
Max. efficiency (%)	30.06	30.22
Efficiency grade (N)	39.84	40
Pabs (kW)	0.284	
reports.flow (m3/h)	2842.13	
Static pressure (Pa)	105.98	
Speed (m/s)	1400	
Specific ratio	1.00	



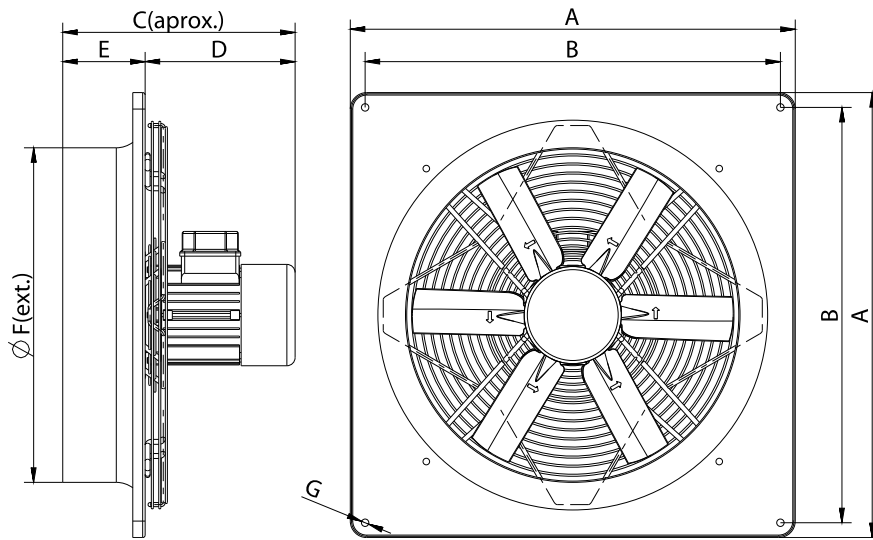
### ACOUSTIC DATA



Sound power	
63 Hz	47
125 Hz	54
250 Hz	60
500 Hz	64
1000 Hz	67
2000 Hz	68
4000 Hz	69
8000 Hz	62
TOTAL	74

Sound pressure 1.5m (in)	
63 Hz	33
125 Hz	40
250 Hz	46
500 Hz	50
1000 Hz	52
2000 Hz	53
4000 Hz	54
8000 Hz	47
TOTAL	59

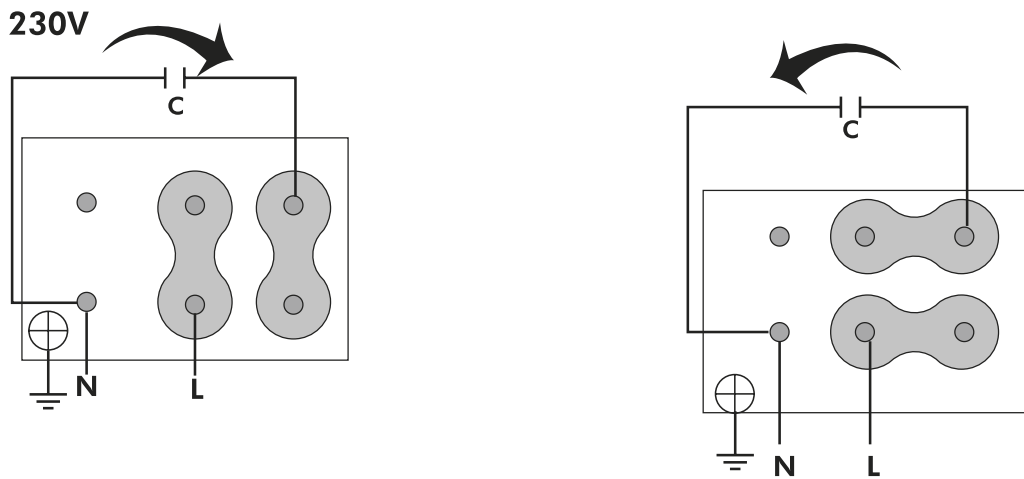
## DIMENSIONS



Dimensions (mm)

A	540	B	504	C	284,3	D	184,3	E	100
ØF	406	ØG	11						

## WIRING DIAGRAM



## ACCESSORIES



**SAFETY SWITCH**  
**INT 25 3P A**  
**REF: INT253PA**



**Outlet protection guard for axial fans**  
**RPO 40**  
**REF: 980000040**

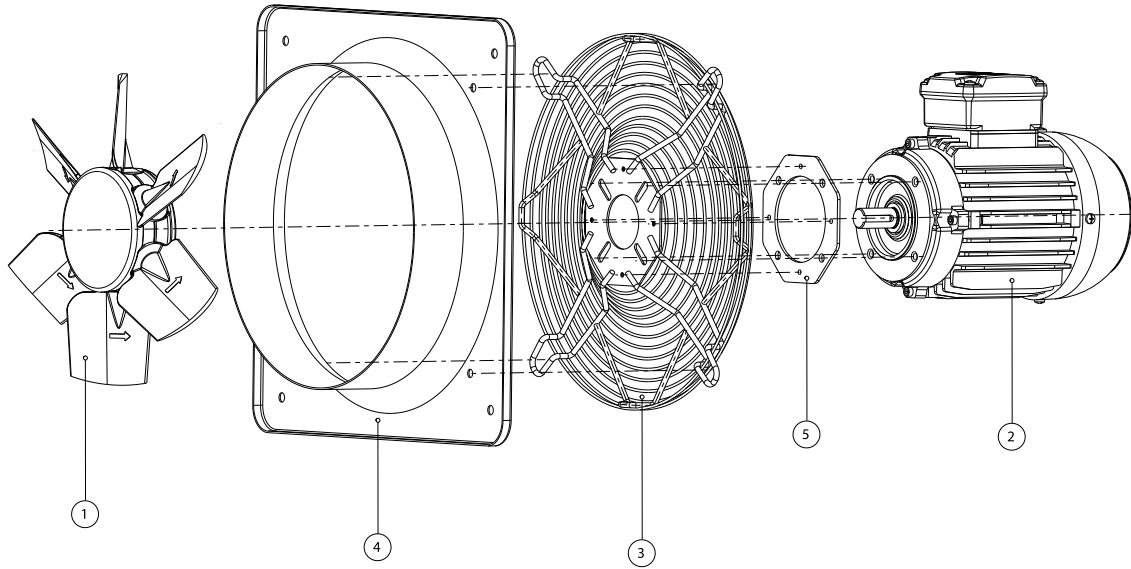


**PLASTIC GRAVITY SHUTTER**  
**PCP 40**  
**REF: 963230106**



**ALUMINIUM GRAVITY SHUTTER**  
**PC2 40**  
**REF: PC24040**

**SPARE PARTS**



	Code	Model	RPM	Degrees
1	H40006140PSTD	1 x IMPELLER 400:AP0:6 G40 D11	-	-
2	720301120	1 x MOTOR 0,18kW M4 B14 230V IEC63	-	-
3	268401902	1 x PROTECTION GRID HJBM40	-	-