



Specification of: DDM 9/9 E6G3603 3F 4P 1V +SCT == 6N028A

High performance centrifugal fan DDM

Double width, double inlet (DWDI), direct drive, forward curved blades fan. Lap-jointed scroll made of galvanized steel (EN 10142), assembled through a high-technology roller-locked seaming. Straight cut off plate at fan discharge. Impeller with forward curved blades of galvanised steel plate, directly mounted on a "External Rotor" motor for no transmission losses. Closed (IP 55) frame, three-phase, single speed motor, usable at 400 V, 50 Hz or 460V, 60 Hz. With built-in thermal protection device. Maintenance free, integral vibration isolators, self aligning ball bearings. Dynamically balanced according to DIN ISO 21940-11. With

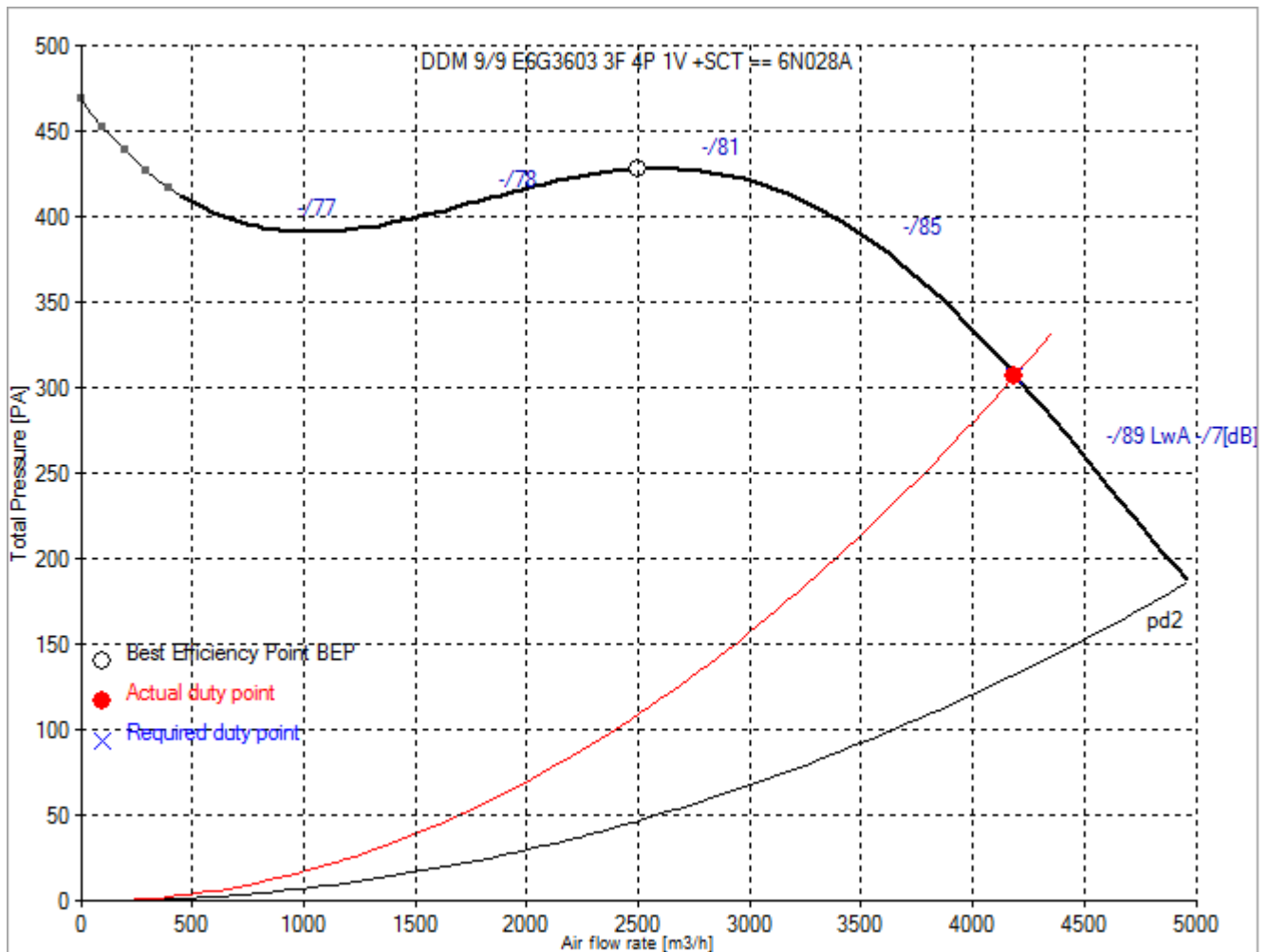
mounted terminal box. Air performance ratings according to AMCA 210-99 (Fig. 12), UNI 10531 (Fig 30c and par. 29.2 f) and ISO 5801 (Fig. 69 c and par. 30.2 f).

Technical data of the fan: DDM 9/9 E6G3603 3F 4P 1V +SCT == 6N028A

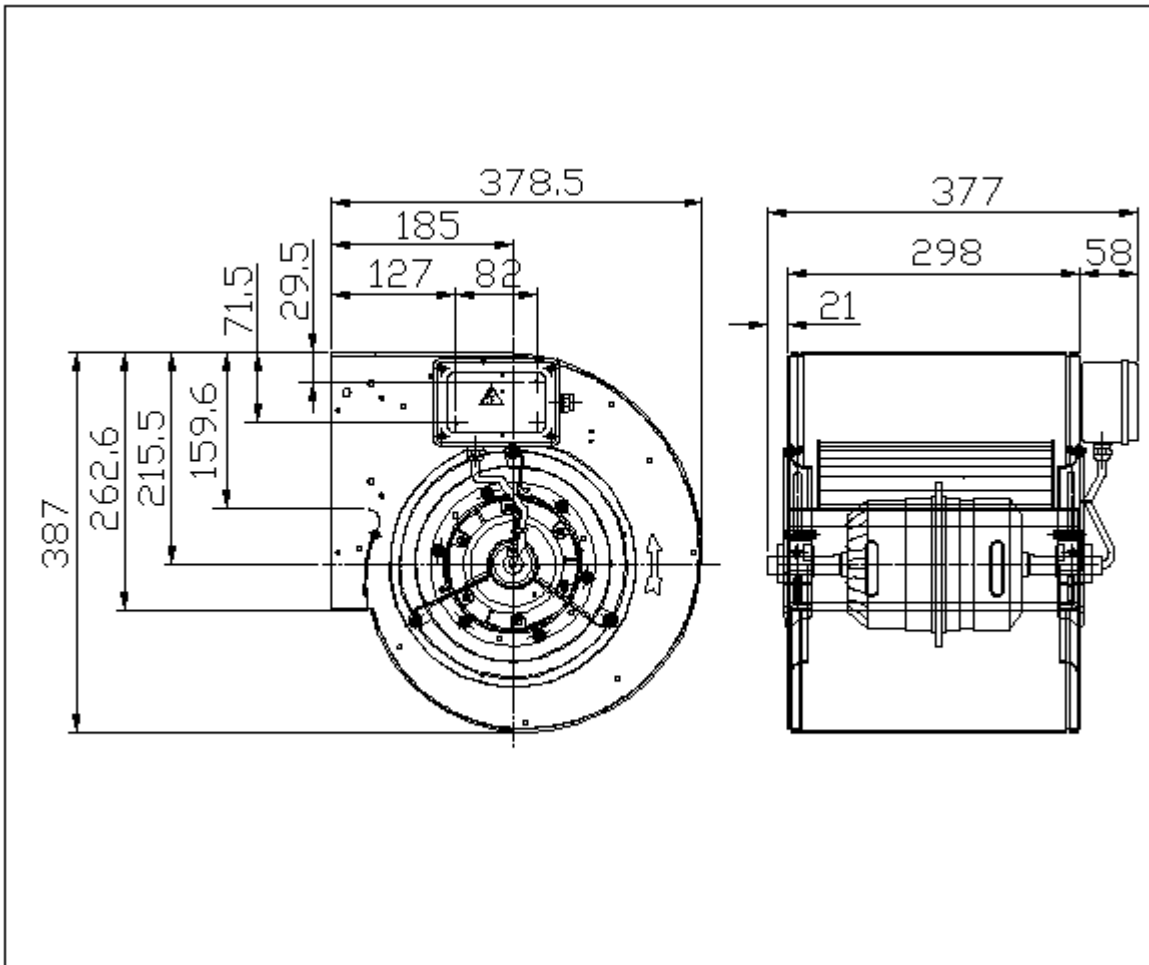
[fulfills the ErP requirements 2015](#)

| Description | Value Dimension |
|--|------------------------|
| Specified duty point | |
| Air flow rate (V) | 4187 m ³ /h |
| Total pressure rise | 307 Pa |
| Actual duty point | |
| Installation acc. DIN 24163 Part 1 | B |
| Reference density (Rho1) | 1.20 kg/m ³ |
| Medium temperature (t) | 20 C |
| Air flow rate (V) | 4191 m ³ /h |
| Total pressure rise (dp _t) | 308 Pa |
| Dynamic pressure at discharge (pd ₂) | 133 Pa |
| Static pressure increase (dp _{fa}) | 175 Pa |
| Velocity at discharge area (c) | 14.9 m/s |
| Fan weight | 16 kg |
| A-weighted sound power level discharge/intake LwA _{..7} | -/88 dB |
| Rated data | |
| Phases-Voltage-Frequency | 3~230/400-50 V-Hz |
| Number of poles: | 4 |
| Motor rating (P _N) | 0.55 kW |
| Rated motor speed (n _N) | 1410 min ⁻¹ |
| Rated motor current (I _N) | 4,8/2,8 A |
| operational limits | |
| Max. absorbed power (P _{1max}) | 1.656 kW |
| Temperature range of conveying medium (t _{min} ... t _{max}) | -20...40 C |
| ErP-Data at best efficiency and density 1.20 kg/m³ | |
| measurement- / efficiency category | B / total |
| design status of VSD | without VSD |
| overall efficiency (ETA _{opt}) | 43.2 % |
| achieved efficiency grade (N _{ist}) | 50.6 |
| required efficiency grade in 2013 / 2015 (N) | 42 / 49 |
| Air flow rate (V _{opt}) | 2414 m ³ /h |
| pressure rise (dp _{opt}) | 430 Pa |
| Fan speed (n _{vopt}) | 1416 min ⁻¹ |
| motor power input (P _{1opt}) | 0.667 kW |
| specific ratio (d _{dpopt}) | 1.004 |

Fan curve to DDM 9/9 E6G3603 3F 4P 1V +SCT == 6N028A



Dimensions to DDM 9/9 E6G3603 3F 4P 1V +SCT == 6N028A



Rotation:
Handing:

RD
90