



**Specification of: DD 10/10 M9F1 3F 4P 1V +SCT == 6N09A9**

**High performance centrifugal fan DD**

Double width, double inlet (DWDI), direct drive, forward curved blades fan. Lap-jointed scroll made of galvanized steel (EN 10142), assembled through a high-technology roller-locked seaming. Straight cut off plate at fan discharge. Impeller with forward curved blades of galvanized steel plate, directly mounted on a conventional "Internal Rotor" motor for no transmission losses. Closed (IP 55) frame, three-phase, single speed motor, usable at 400 V, 50 Hz. Maintenance free, integral vibration isolators, self aligning ball bearings. Dynamically balanced according to DIN ISO 21940-11. With mounted terminal box. Air performance

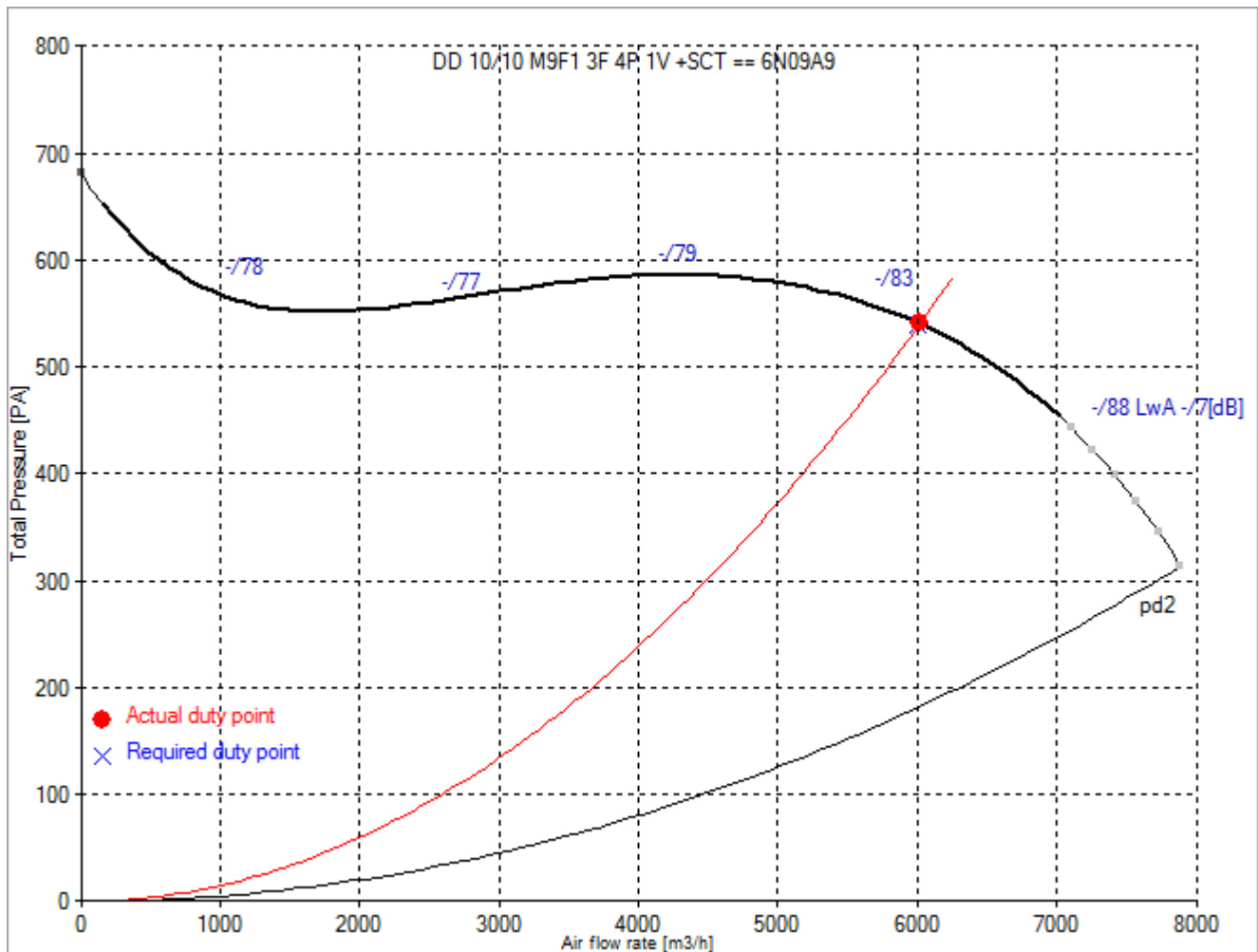
ratings according to AMCA 210-99 (Fig. 12), UNI 10531 (Fig 30c and par. 29.2 f) and ISO 5801 (Fig. 69 c and par. 30.2 f).

**Technical data of the fan: DD 10/10 M9F1 3F 4P 1V +SCT == 6N09A9**

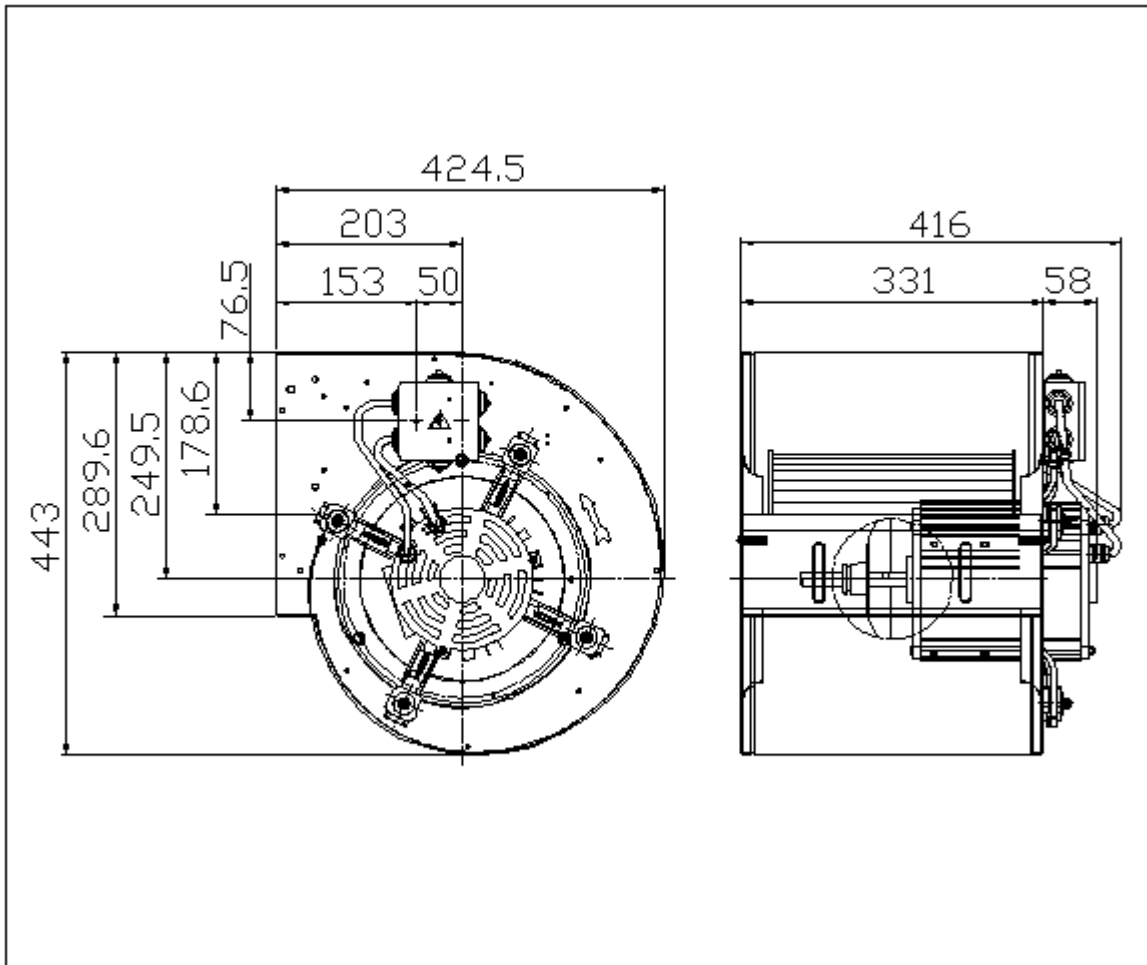
fulfills the ErP requirements 2015

Description	Value Dimension
<b>Specified duty point</b>	
Air flow rate (V)	6010 m³/h
Total pressure rise	539 Pa
<b>Actual duty point</b>	
Installation acc. DIN 24163 Part 1	B
Reference density (Rho1)	1.20 kg/m³
Medium temperature (t)	20 C
Air flow rate (V)	6020 m³/h
Total pressure rise (dp <sub>t</sub> )	541 Pa
Dynamic pressure at discharge (pd <sub>2</sub> )	182 Pa
Static pressure increase (dp <sub>sta</sub> )	358 Pa
Velocity at discharge area (c)	17.4 m/s
Fan weight	15 kg
A-weighted sound power level discharge/intake LwA <sub>77</sub>	-/84 dB
<b>Rated data</b>	
Phases-Voltage-Frequency	3~230/400-50 V-Hz
Number of poles:	4
Motor rating (P <sub>N</sub> )	1.5 kW
Rated motor speed (n <sub>N</sub> )	1420 min <sup>-1</sup>
Rated motor current (I <sub>N</sub> )	9,7/5,6 A
<b>operational limits</b>	
Max. absorbed power (P <sub>1max</sub> )	3.616 kW
Temperature range of conveying medium (t <sub>min</sub> ...t <sub>max</sub> )	-20...40 C
<b>ErP-Data at best efficiency and density 1.20 kg/m<sup>3</sup></b>	
measurement- / efficiency category	B / total
design status of VSD	without VSD
overall efficiency (ETA <sub>opt</sub> )	45.6 %
achieved efficiency grade (N <sub>ist</sub> )	51.0
required efficiency grade in 2013 / 2015 (N)	42 / 49
Air flow rate (V <sub>opt</sub> )	3746 m³/h
pressure rise (dp <sub>opt</sub> )	611 Pa
Fan speed (n <sub>vopt</sub> )	1459 min <sup>-1</sup>
motor power input (P <sub>1opt</sub> )	1.39 kW
specific ratio (d <sub>dpopt</sub> )	1.006

## Fan curve to DD 10/10 M9F1 3F 4P 1V +SCT == 6N09A9



Dimensions to DD 10/10 M9F1 3F 4P 1V +SCT == 6N09A9



Rotation:  
Handing:

RD  
90