



*Uninterruptible Power Supply*

**Battery Performance Specification**



Visit us at [www.enersys.com](http://www.enersys.com)



Publication No: US-12XE-PS-AA January 2017

## Features and Benefits

- Front terminal 1010, 1109 and 1150 Watts per cell sizes (five minute rate to 1.67 Vpc)
- Top terminal 763 and 1040 Watts per cell sizes (five minute rate to 1.67Vpc)
- Specifically designed for five minutes or less high-rate discharge applications
- Pure lead technology for longer life at elevated temperatures
- 12 year design life at 77°F (25°C)
- Up to 17 months shelf life at 77°F (25°C) for maximum flexibility in project deployment
- Outstanding power density in industry-standard footprints at 77°F (25°C)
- Fast recharge times to support multiple AC outages
- Lower energy consumption compared to traditional VRLA batteries
- Front terminal design for ease of installation and maintenance
- Top terminal for upgrades to existing applications

## Construction

- High performance Thin Plate Pure Lead (TPPL) grids for optimized corrosion resistance at high operating temperatures
- Active material specifically engineered for maximum performance at sub five minute discharge rates
- Enhanced internal connections designed for high rate Uninterruptible Power Supply (UPS) loads
- Superior quality microporous glass mat separator with high absorption and stability
- Containers and lids in UL94 V-0 rated flame retardant material, highly resistant to shock and vibration
- High grade sulphuric acid electrolyte absorbed into separator material
- High integrity leak resistant dual-seal terminal design
- Self-regulating pressure relief valves prevent ingress of oxygen
- Flame arrestors built into each bloc for increased operational safety
- Robust handles for ease of handling

## Installation and Operation

- Monoblocs are designed for installation in cabinets or on racks, close to the point of use. A separate battery room is not necessary
- It is recommended that DataSafe® XE blocs are installed upright
- Recommended float charge voltage:  
2.27Vpc at 77°F (25°C)  
2.29Vpc at 68°F (20°C)
- Low maintenance: no water addition required
- Wide operating temperature range: -40°F (-40°C) to 122°F (50°C)
- Front terminal connection torque: 9Nm – 80 lbf in;  
Top terminal connection torque: 6.8Nm - 60lbf in

## Standards

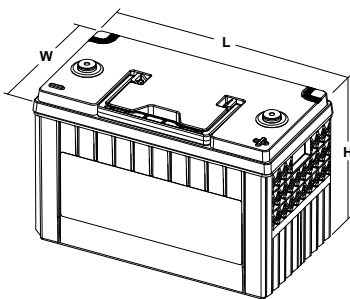
- Designed to be compliant with the requirements of international standard IEC 60896-21/22
- UL recognized component
- Classified as non-spillable and approved as non-hazardous cargo for ground, sea and air transportation in accordance with the requirements of International Maritime code for Dangerous Goods (IMDG) and International Civil Aviation Organization (ICAO)
- The management systems governing the manufacture of DataSafe XE batteries are ISO 9001:2008, ISO 14001:2004 and OHSAS 18001:2007\* certified

\* OHSAS 18001:2007 certification not applicable to 12XE760F-FR

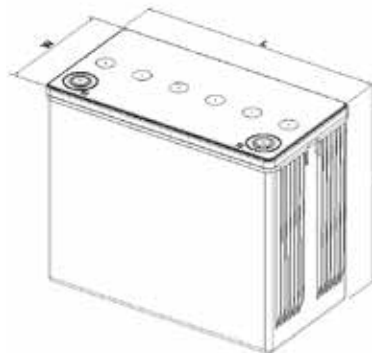
## General Specifications

Battery Type	Nominal Voltage (V)	Watts/Cell (Wpc)		Nominal Capacity (Ah)		Nominal Dimensions						Typical Weight (lbs)	Typical Weight (kg)	Short Circuit Current (A) <sup>1</sup>	Internal Resistance (mΩ) <sup>1</sup>	Terminals
		5min/1.67Vpc 77°F/25°C	15min/1.67Vpc 77°F/25°C	C10/1.80Vpc 68°F/20°C	C8/1.75Vpc 77°F/25°C	Length (in)	Length (mm)	Width (in)	Width (mm)	Overall Height (in)	Overall Height (mm)					
12XE760-FR	12	763	390	92	93	13.0	330	6.8	173	8.6	218	77.4	35.1	3100	4.0	M6 female
12XE1040-FR	12	1040	560	124	129	13.3	338	6.8	173	10.7	273	97.0	44.0	4150	3.3	M6 female
12XE1010F-FR	12	1010	566	155	158	22.9	581	4.9	125	11.1	283	107.4	48.7	3498	3.6	M6 male
12XE1110F-FR	12	1109	649	165	167	22.9	581	4.9	125	11.1	283	114.0	51.7	3916	3.2	M6 male
12XE1150F-FR	12	1150	706	180	181	22.9	581	4.9	125	12.4	316	129.2	58.6	4081	3.1	M6 male

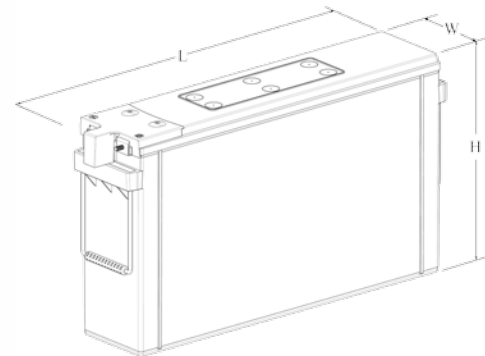
Note:  
<sup>1</sup> Figures obtained via IEC method.



12XE760-FR



12XE1040-FR



12XE1010F-FR  
12XE1110F-FR  
12XE1150F-FR

## Constant Power Discharge Performance Data

### Constant Power (Watts per cell) at 77°F (25°C) to 1.75Vpc

Battery Type	Standby Time (Minutes)																			
	0.5	1	2	3	4	5	6	7	8	9	10	11	12	13	14	15	20	30	45	60
12XE760-FR	1243	1147	975	859	772	702	643	593	550	513	483	456	432	410	390	373	309	230	170	136
12XE1040-FR	1259	1259	1187	1101	1022	930	845	772	727	692	660	630	602	577	551	527	436	328	241	193
12XE1010F-FR	1178	1178	1127	1038	963	897	840	789	744	704	672	643	617	592	570	548	462	353	266	214
12XE1110F-FR	1262	1262	1228	1141	1066	1000	942	890	843	802	766	733	703	675	649	626	530	410	308	246
12XE1150F-FR	1262	1262	1227	1156	1095	1042	996	954	907	863	822	785	750	718	688	665	569	439	329	264

### Constant Power (Watts per cell) at 77°F (25°C) to 1.70Vpc

Battery Type	Standby Time (Minutes)																			
	0.5	1	2	3	4	5	6	7	8	9	10	11	12	13	14	15	20	30	45	60
12XE760-FR	1385	1279	1073	930	823	744	678	623	576	536	501	472	447	424	403	384	316	234	173	137
12XE1040-FR	1417	1407	1292	1198	1091	987	904	834	773	730	694	660	629	601	575	550	451	337	246	196
12XE1010F-FR	1278	1278	1216	1146	1051	972	904	844	791	743	701	667	637	610	585	562	470	357	266	214
12XE1110F-FR	1388	1388	1312	1243	1152	1073	1005	945	891	843	799	761	728	697	669	643	540	413	308	246
12XE1150F-FR	1440	1440	1337	1248	1175	1112	1059	1010	966	926	879	835	795	759	725	694	586	449	333	265

### Constant Power (Watts per cell) at 77°F (25°C) to 1.67Vpc

Battery Type	Standby Time (Minutes)																			
	0.5	1	2	3	4	5	6	7	8	9	10	11	12	13	14	15	20	30	45	60
12XE760-FR	1425	1327	1121	967	851	763	695	637	589	547	510	480	454	430	409	389	319	236	174	138
12XE1040-FR	1524	1485	1358	1256	1145	1040	951	875	809	751	711	676	643	613	585	560	458	340	248	197
12XE1010F-FR	1329	1322	1244	1177	1097	1010	935	869	812	761	716	676	644	616	590	566	472	357	266	214
12XE1110F-FR	1457	1432	1343	1270	1195	1109	1035	970	913	860	814	772	737	705	676	649	541	413	308	246
12XE1150F-FR	1524	1514	1397	1298	1218	1150	1091	1038	992	947	905	858	814	775	739	706	592	452	333	265

### Constant Power (Watts per cell) at 77°F (25°C) to 1.65Vpc

Battery Type	Standby Time (Minutes)																			
	0.5	1	2	3	4	5	6	7	8	9	10	11	12	13	14	15	20	30	45	60
12XE760-FR	1449	1346	1149	987	865	774	703	645	595	552	515	484	457	433	412	392	321	237	174	138
12XE1040-FR	1592	1533	1400	1289	1185	1074	980	900	830	770	721	684	651	620	591	565	461	341	248	197
12XE1010F-FR	1361	1347	1262	1190	1125	1031	953	884	824	771	724	682	647	618	592	568	472	357	266	214
12XE1110F-FR	1503	1460	1362	1284	1218	1130	1052	985	923	869	821	777	740	708	678	650	542	413	308	246
12XE1150F-FR	1564	1546	1436	1331	1244	1172	1111	1056	1006	960	916	869	823	782	745	712	595	452	333	265

### Constant Power (Watts per cell) at 77°F (25°C) to 1.63Vpc

Battery Type	Standby Time (Minutes)																			
	0.5	1	2	3	4	5	6	7	8	9	10	11	12	13	14	15	20	30	45	60
12XE760-FR	1465	1366	1174	1005	878	783	710	651	600	557	519	486	459	435	414	394	322	238	174	138
12XE1040-FR	1592	1574	1438	1319	1218	1107	1007	922	850	786	732	693	658	625	596	569	464	342	249	198
12XE1010F-FR	1393	1369	1277	1202	1137	1051	968	897	835	779	730	687	649	620	593	569	472	357	266	214
12XE1110F-FR	1528	1486	1378	1295	1227	1149	1068	996	932	875	825	782	742	709	678	651	542	413	308	246
12XE1150F-FR	1588	1577	1468	1360	1270	1194	1129	1071	1019	970	924	877	830	788	751	717	597	452	333	265

### Constant Power (Watts per cell) at 77°F (25°C) to 1.60Vpc

Battery Type	Standby Time (Minutes)																			
	0.5	1	2	3	4	5	6	7	8	9	10	11	12	13	14	15	20	30	45	60
12XE760-FR	1488	1388	1204	1025	893	794	718	656	605	561	523	490	461	437	415	395	322	238	174	138
12XE1040-FR	1592	1574	1482	1349	1247	1154	1041	949	873	807	750	704	666	633	602	574	467	344	250	198
12XE1010F-FR	1442	1403	1297	1216	1147	1077	989	913	847	789	737	692	652	621	594	569	472	357	266	214
12XE1110F-FR	1528	1501	1401	1310	1237	1172	1085	1008	940	882	831	785	744	710	679	651	542	413	308	246
12XE1150F-FR	1588	1579	1502	1402	1304	1223	1153	1092	1036	983	933	884	837	795	758	724	599	452	333	265

## Constant Power Discharge Performance Data Continued

### Constant Power (Watts per cell) at 77°F (25°C) to 1.55Vpc

Battery Type	Standby Time (Minutes)																			
	0.5	1	2	3	4	5	6	7	8	9	10	11	12	13	14	15	20	30	45	60
12XE760-FR	1515	1404	1234	1044	905	802	723	660	608	563	525	491	462	438	416	396	322	238	174	138
12XE1040-FR	1592	1574	1493	1364	1259	1173	1072	976	897	829	770	720	678	643	612	584	474	349	253	201
12XE1010F-FR	1496	1454	1325	1234	1159	1093	1015	933	861	799	742	694	652	621	594	569	472	357	266	214
12XE1110F-FR	1528	1501	1431	1328	1249	1179	1100	1018	948	887	834	787	745	710	679	651	542	413	308	246
12XE1150F-FR	1588	1579	1528	1447	1355	1265	1188	1119	1057	998	943	892	847	805	767	732	599	452	333	265

### Constant Power (Watts per cell) at 77°F (25°C) to 1.50Vpc

Battery Type	Standby Time (Minutes)																			
	0.5	1	2	3	4	5	6	7	8	9	10	11	12	13	14	15	20	30	45	60
12XE760-FR	1516	1405	1234	1048	907	803	723	660	608	563	525	492	462	438	416	396	322	238	174	138
12XE1040-FR	1592	1574	1493	1364	1259	1173	1082	986	906	837	778	727	683	647	616	587	477	351	255	203
12XE1010F-FR	1496	1467	1350	1243	1164	1095	1032	944	865	799	742	694	652	621	594	569	472	357	266	214
12XE1110F-FR	1528	1501	1434	1339	1254	1180	1106	1022	951	888	834	787	745	710	679	651	542	413	308	246
12XE1150F-FR	1588	1579	1528	1471	1386	1298	1214	1139	1070	1007	951	900	854	810	769	732	599	452	333	265

